

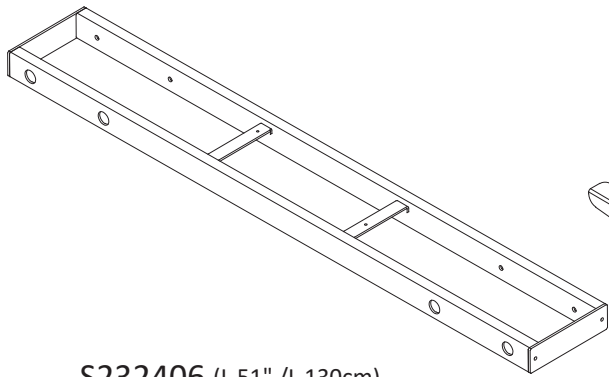
Lift Plus - Sit to Stand Desk

Classic and Ergonomic Top

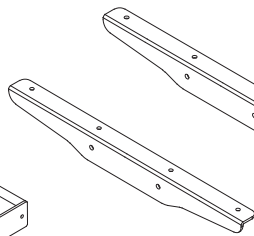
USER MANUAL

X

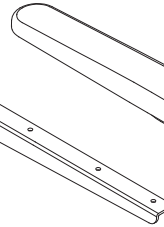
Ergonomic Top Components



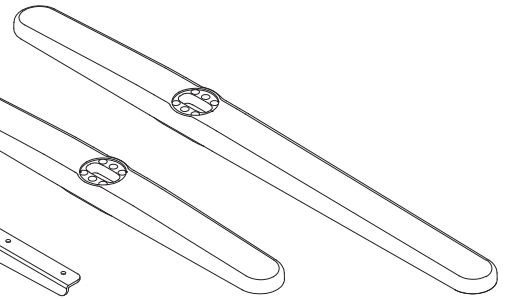
S232406 (L 51" /L 130cm)



S232402

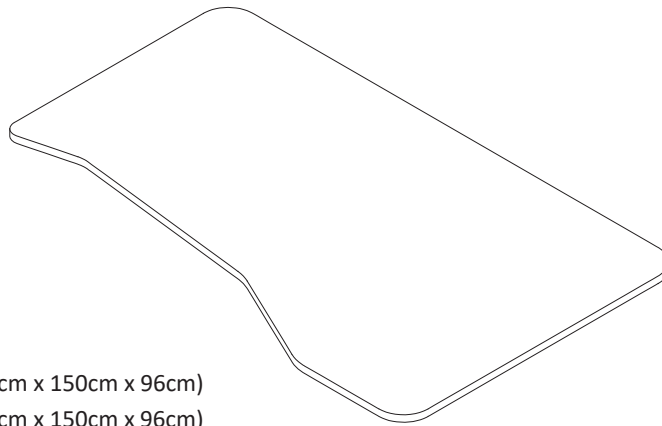


S232409



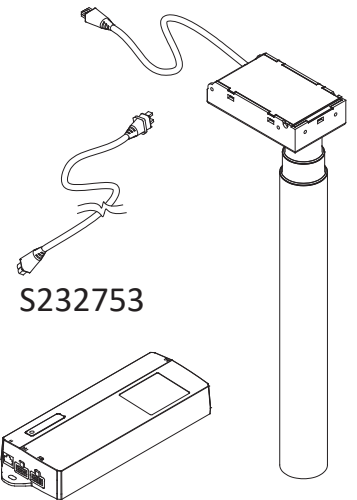
S232100

S232101

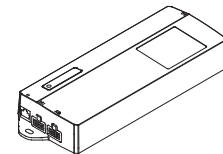


S232341 (26" x 59" x 38" / 66cm x 150cm x 96cm)

S232344 (38" x 59" x 26" / 66cm x 150cm x 96cm)



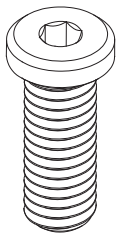
S232753



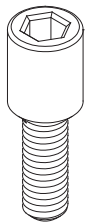
S232750

2x
S232407

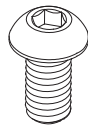
Hardware



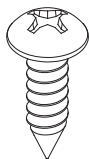
8 C.
S232701



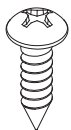
8 D.
S232702



4 E.
S232703



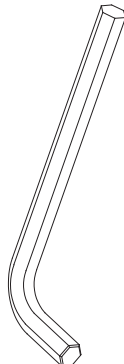
12 F.
S232704



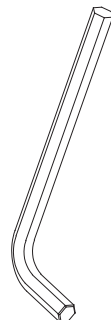
2 G.
S232708



2 I.
S232706



1 J.
S232709

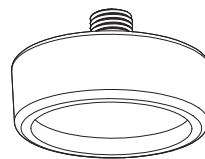


1 K.
S232712

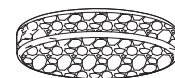
4x
S232200



4x
S232201



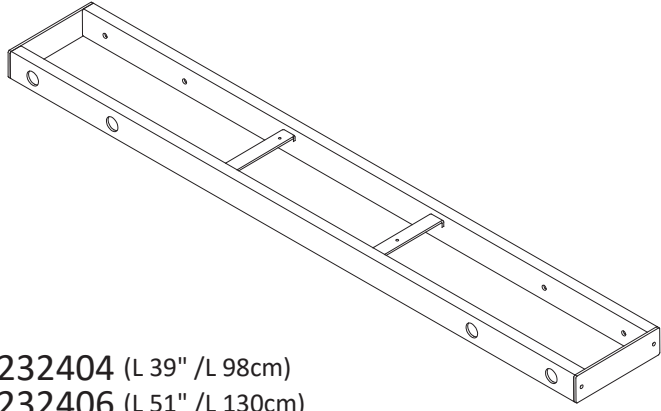
4x
S240802
(Felt)



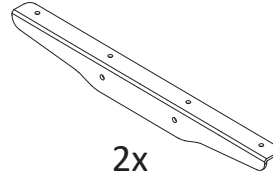
4x
S240811
(Rubber)



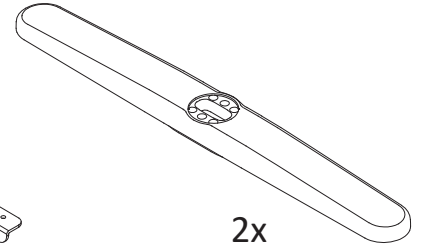
Classic Top Components



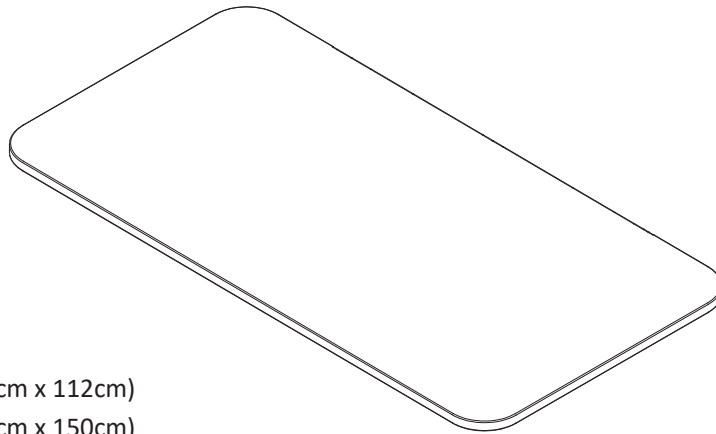
S232404 (L 39" / L 98cm)
S232406 (L 51" / L 130cm)



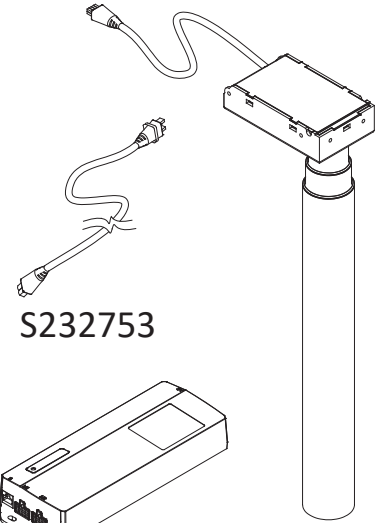
2x
S232402



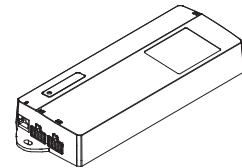
2x
S232100



S232306 (23" x 47" / 57cm x 112cm)
S232308 (26" x 59" / 67cm x 150cm)



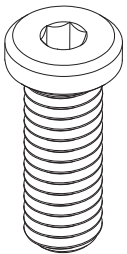
S232753



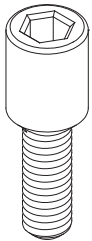
S232750

2x
S232407

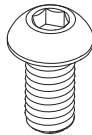
Hardware



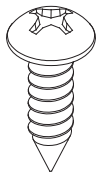
8 C.
S232701



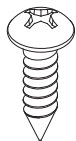
8 D.
S232702



4 E.
S232703



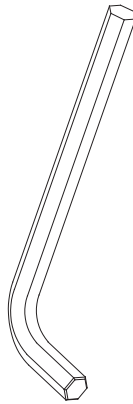
8 F.
S232704



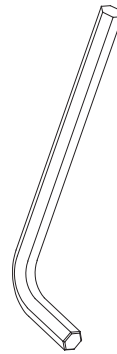
2 G.
S232708



2 I.
S232706

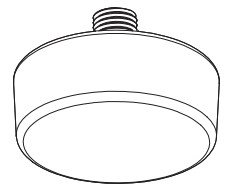


1 J.
S232709

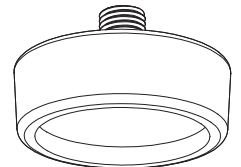


1 K.
S232712

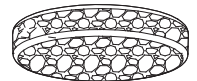
4x
S232200



4x
S232201



4x
S240802
(Felt)

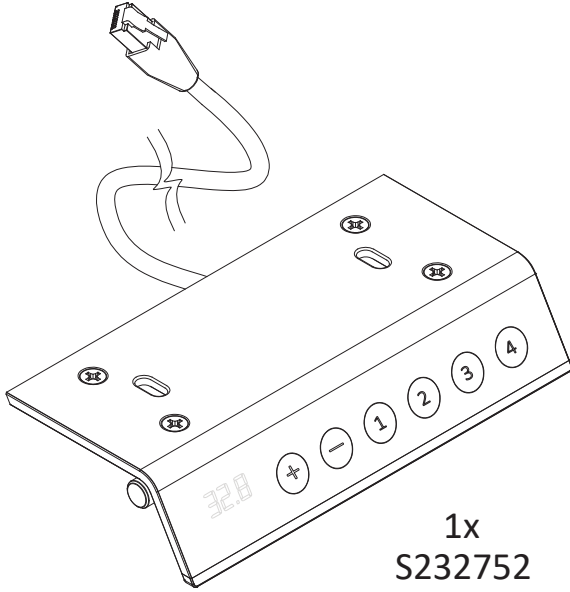


4x
S240811
(Rubber)



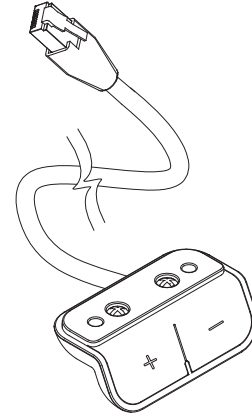
Height Control Options

Memory Height Control

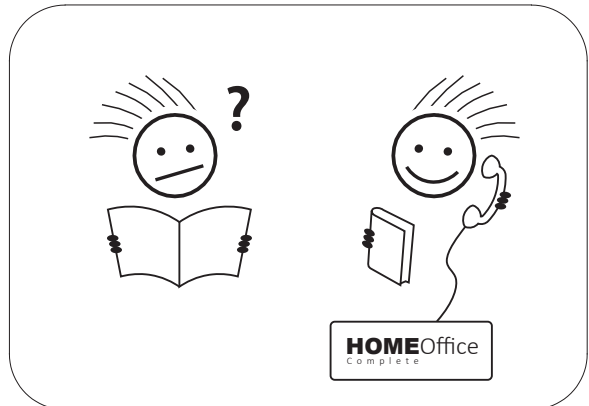
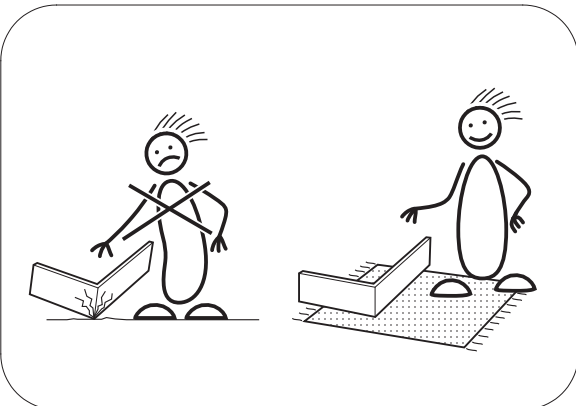
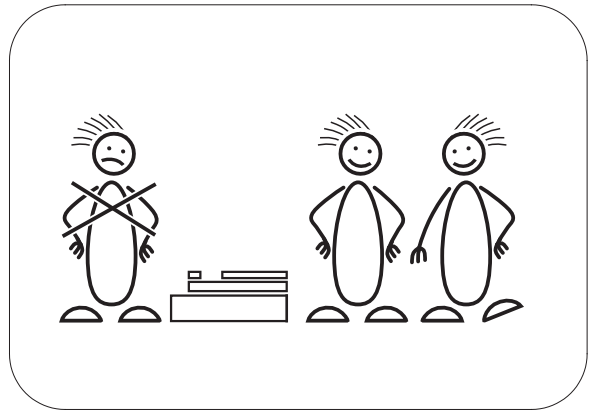
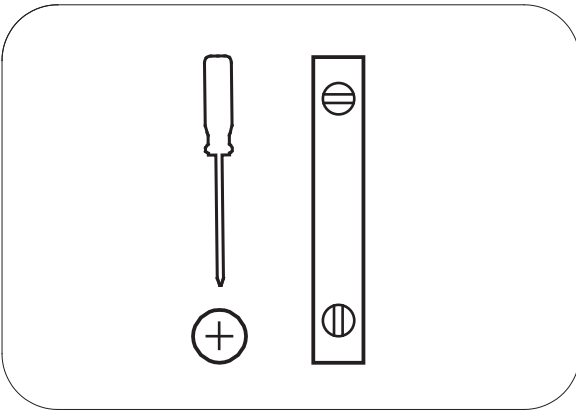


1x
S232752

Standard Height Control

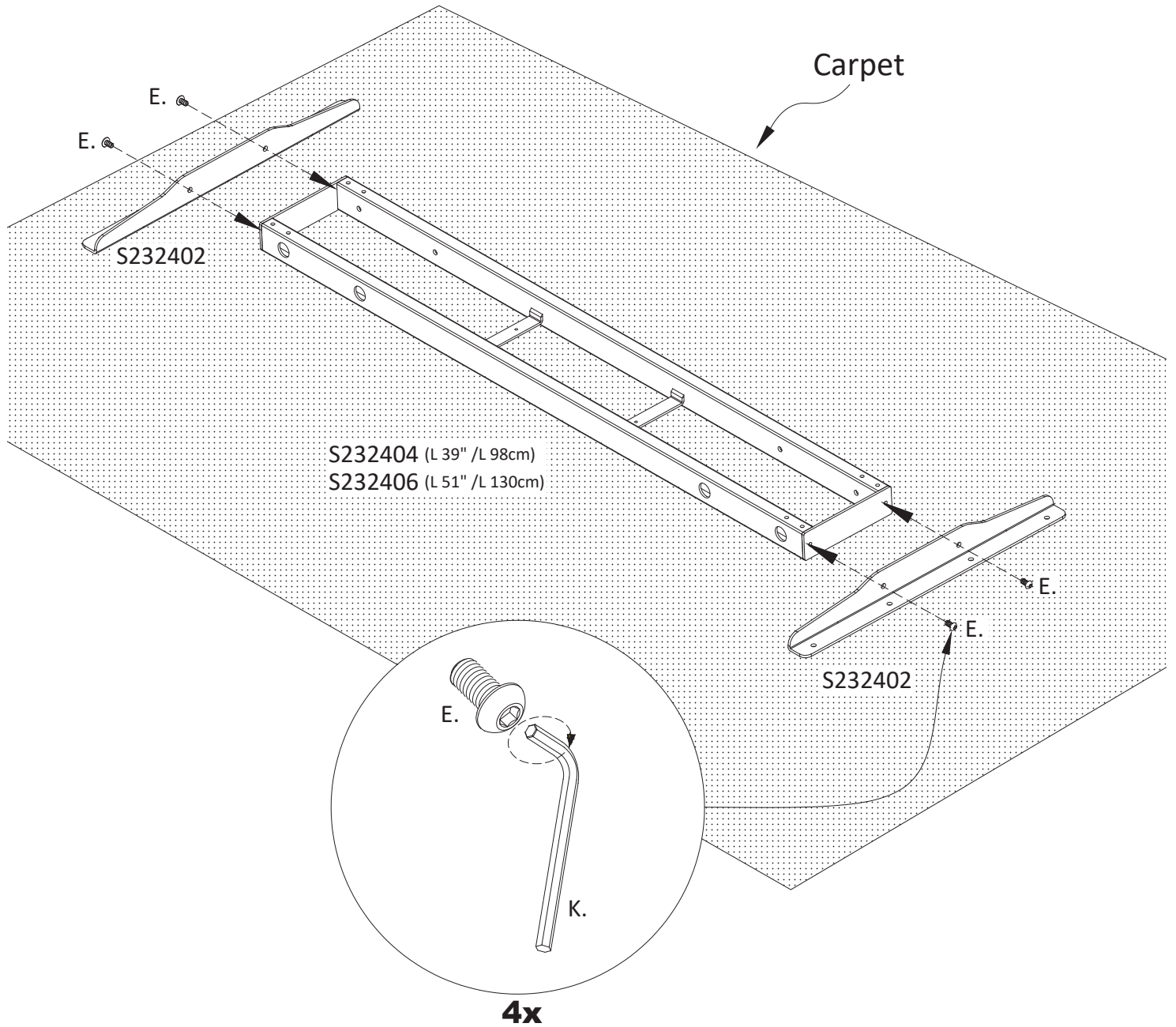


1x
S232751

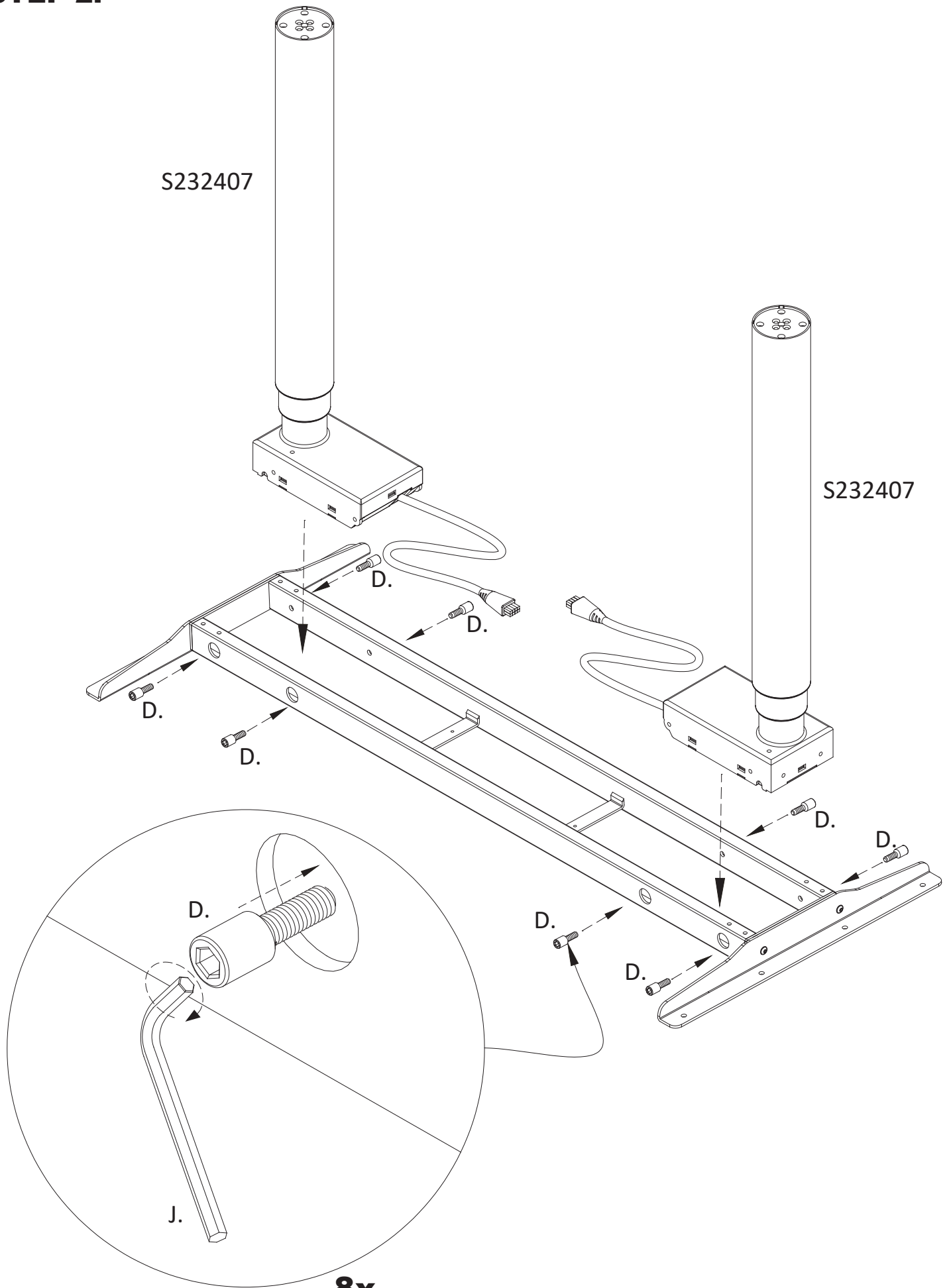


STEP 1.

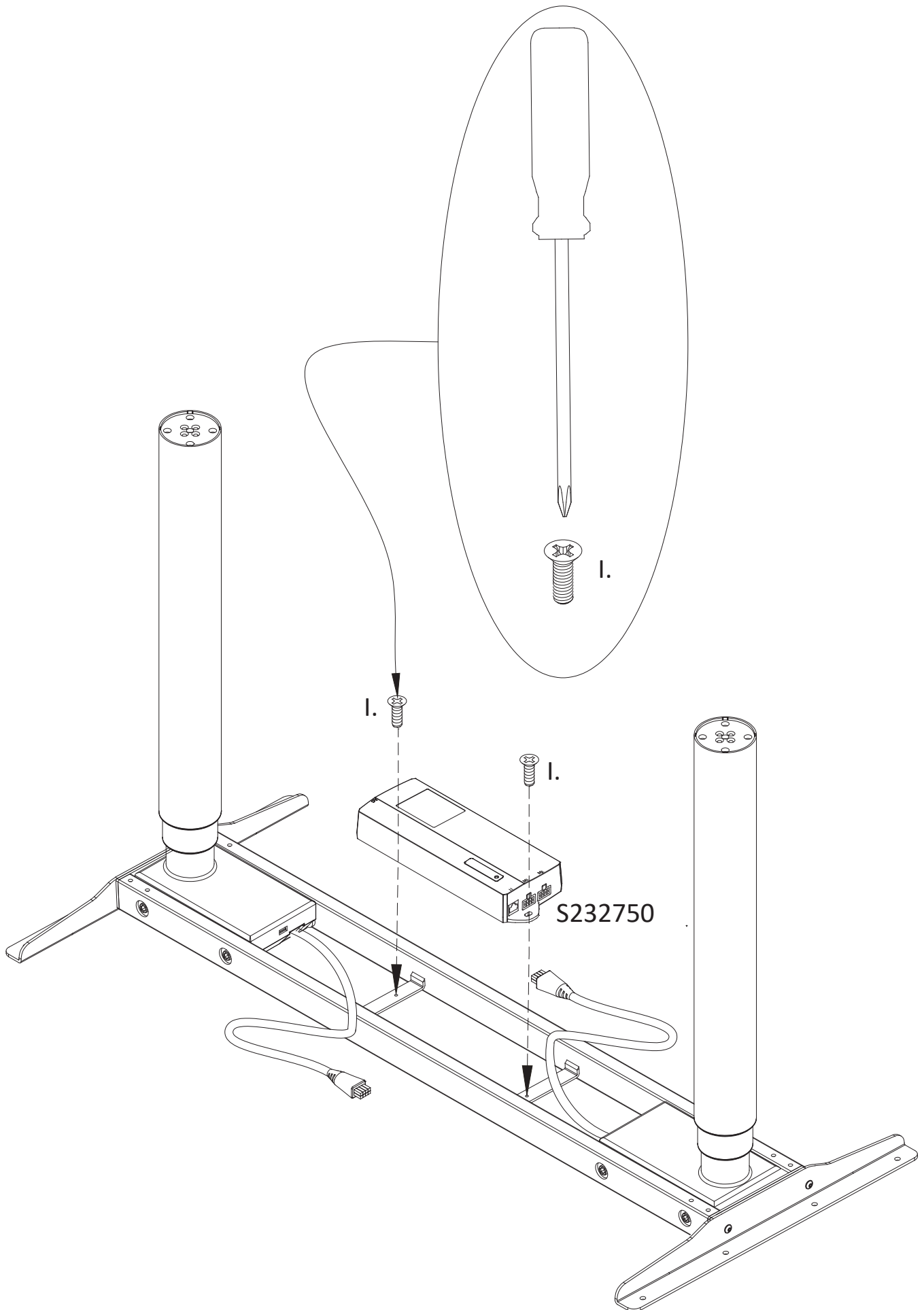
Build desk with top facing down



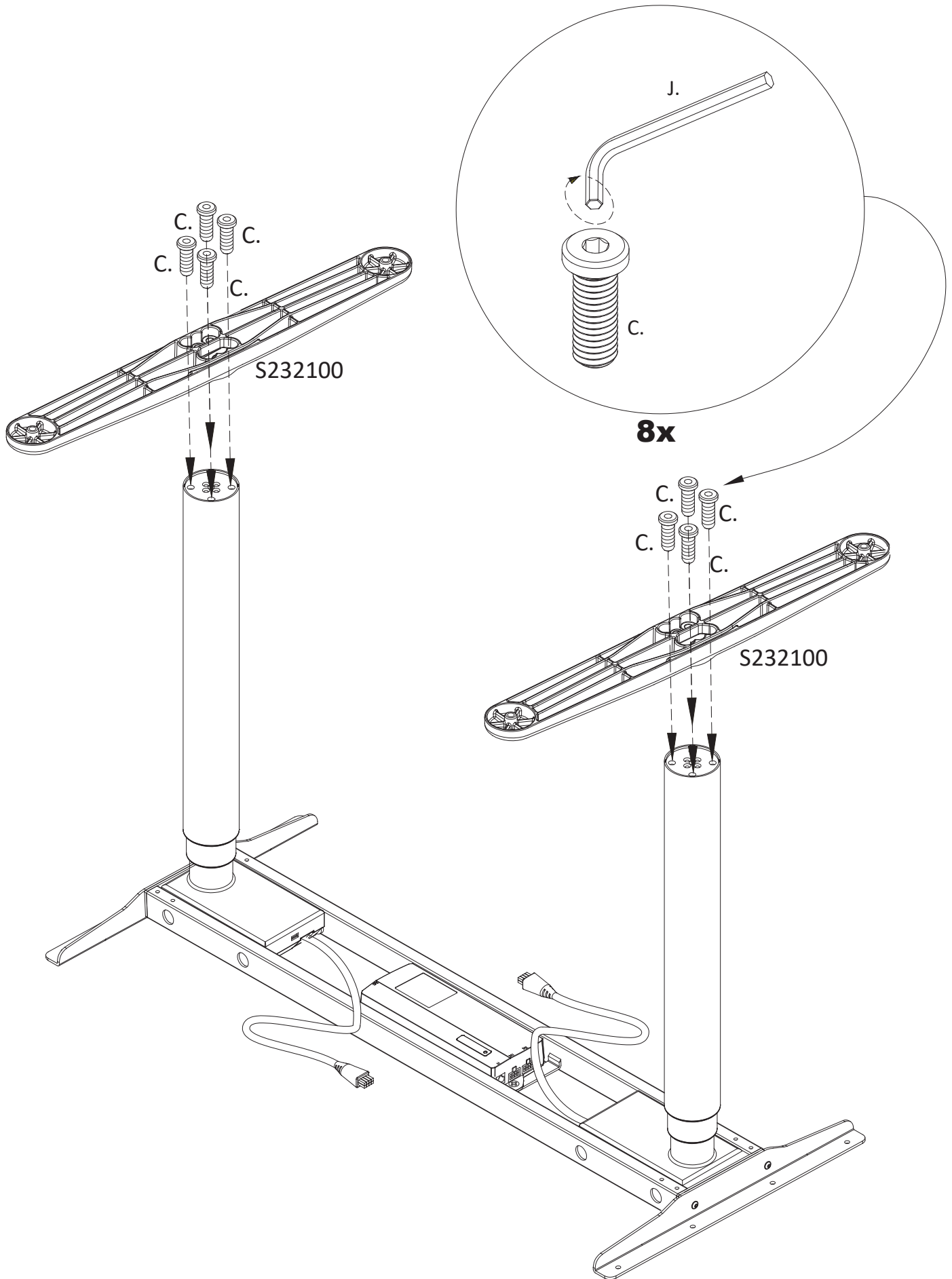
STEP 2.



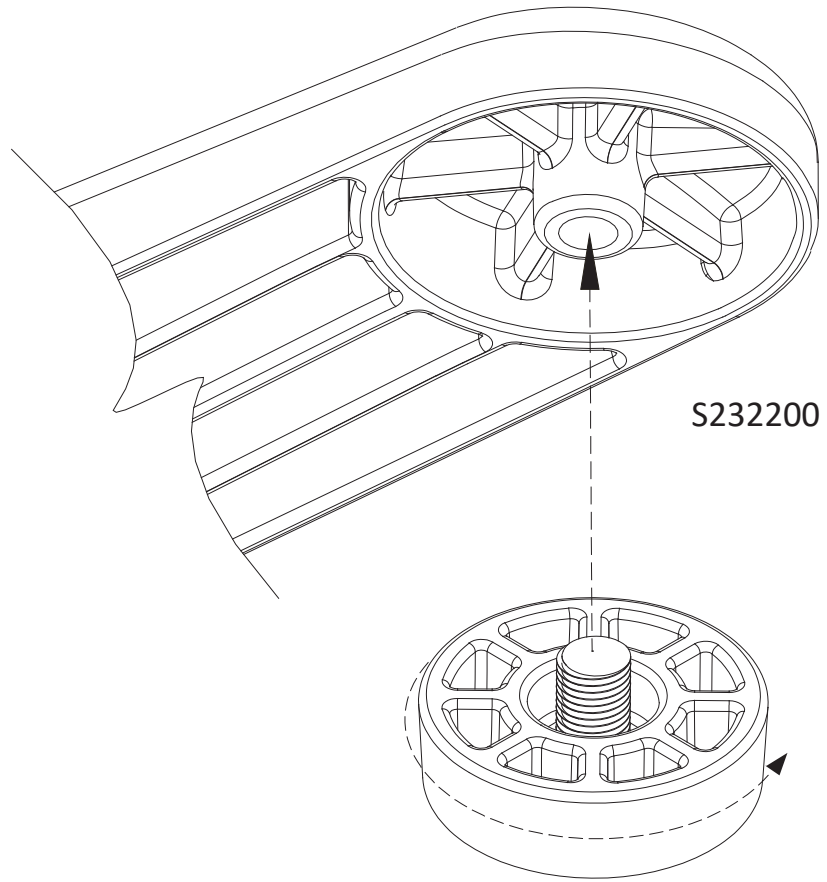
STEP 3.



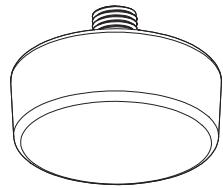
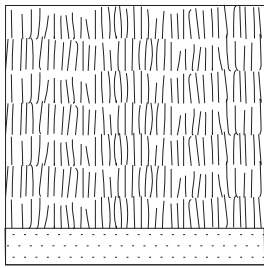
STEP 4.



STEP 5.



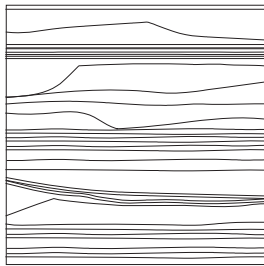
carpet



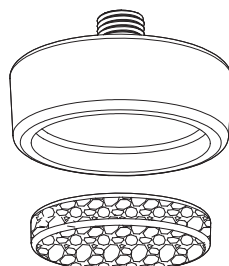
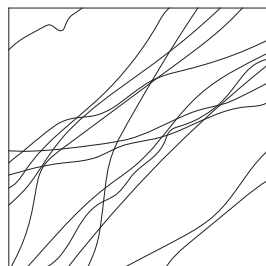
S232200

4x

wood



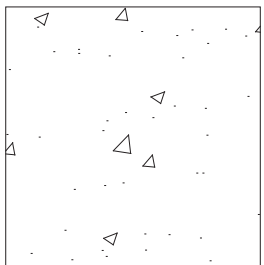
marble



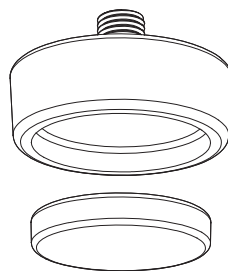
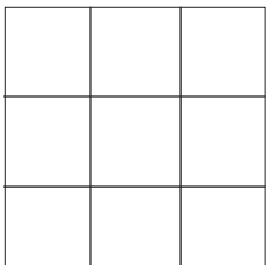
S232201

S240802
(Felt)

concrete



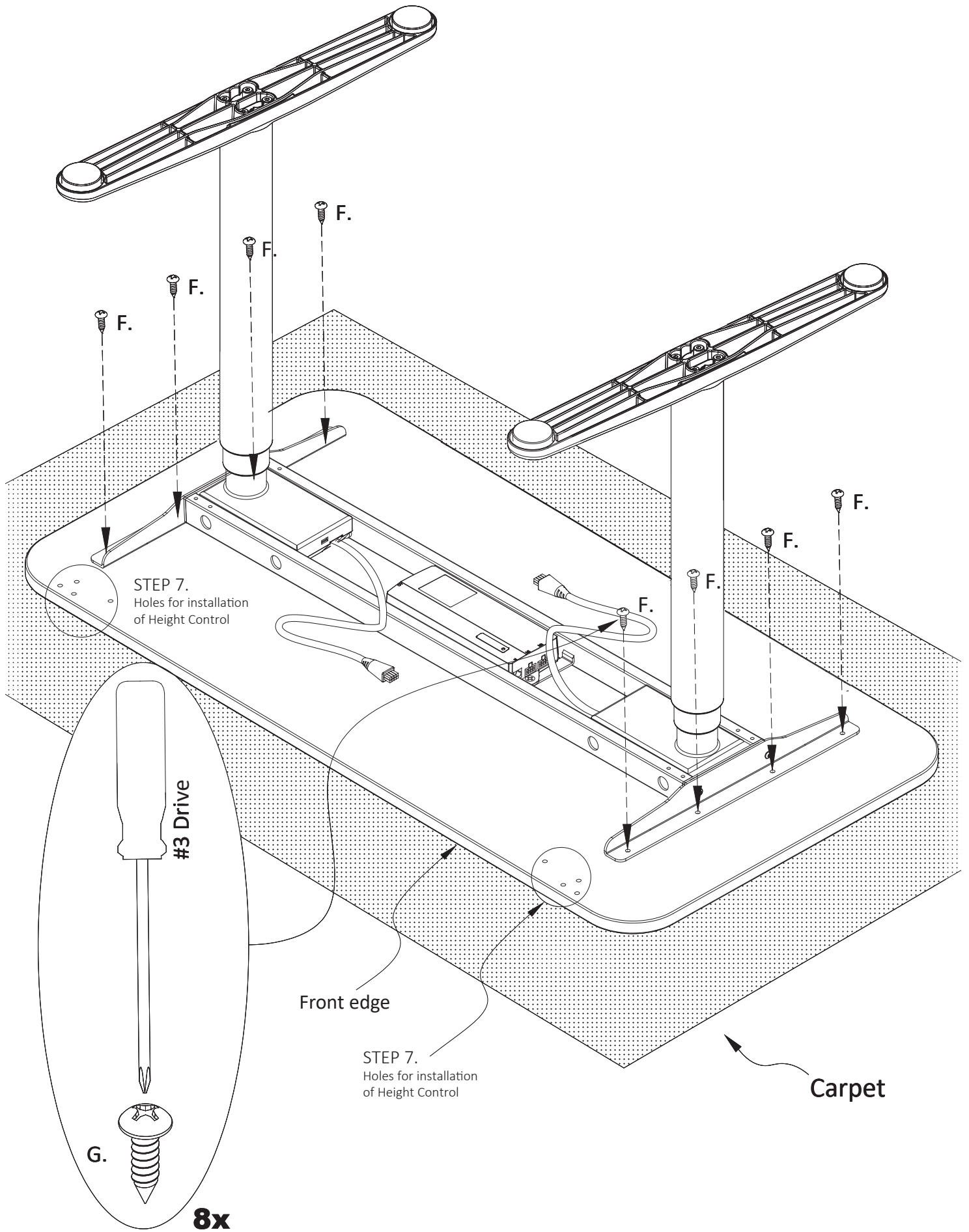
tile



S232201

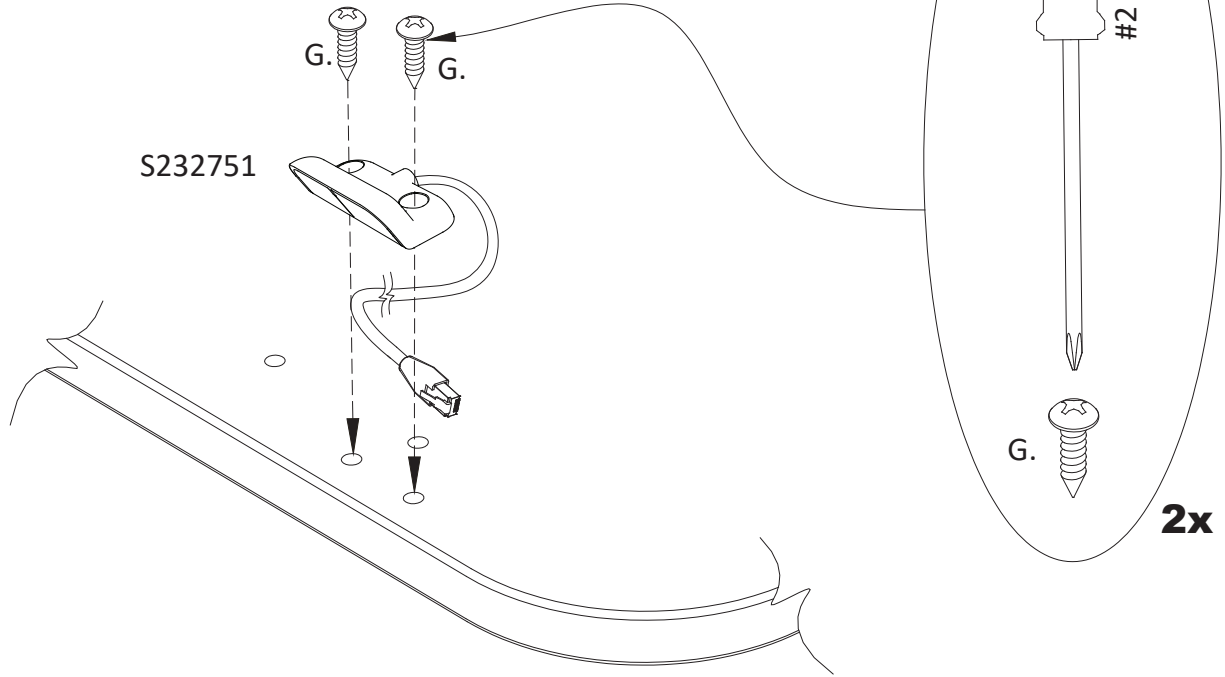
S240811
(Rubber)

STEP 6.

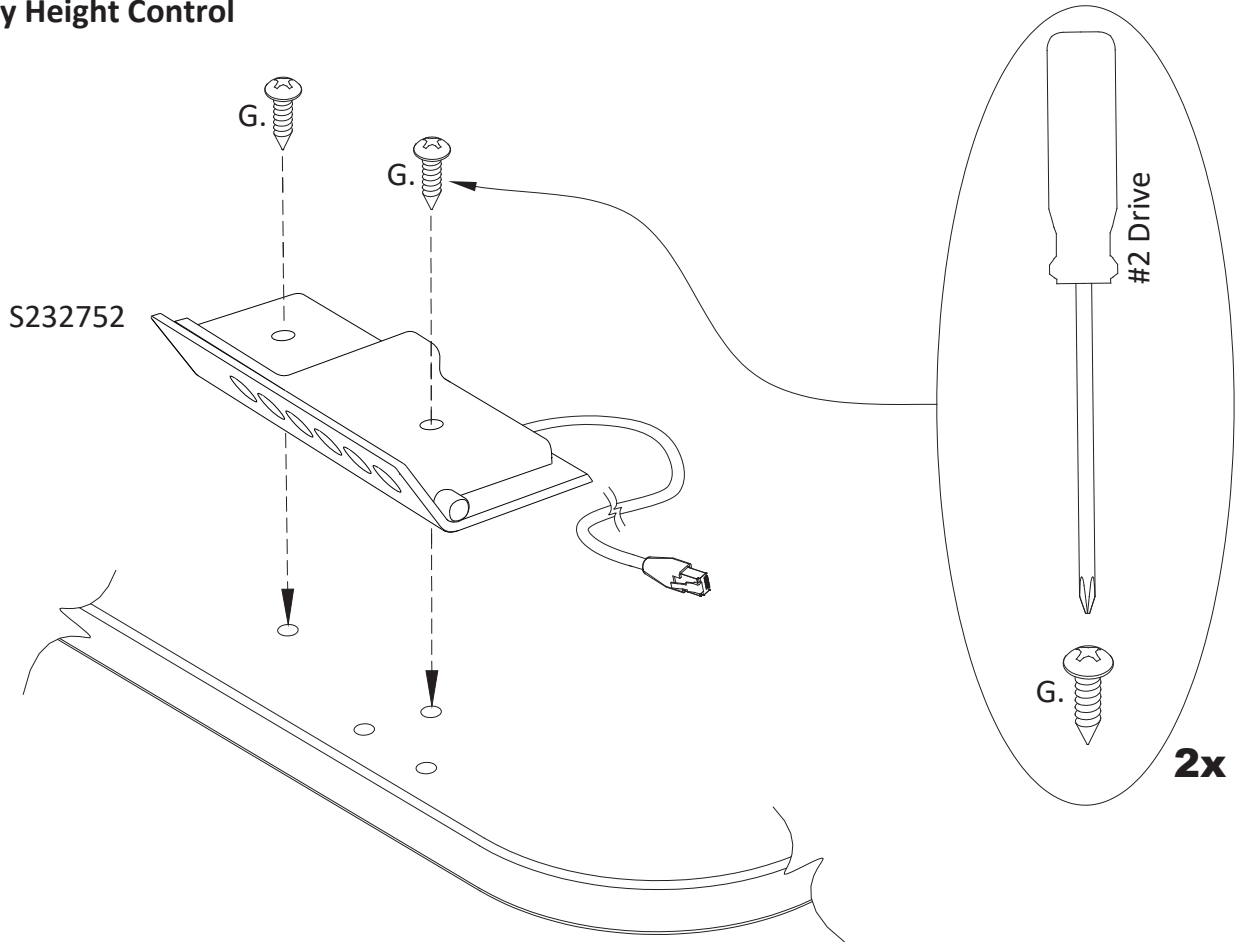


STEP 7.

Standard Height Control



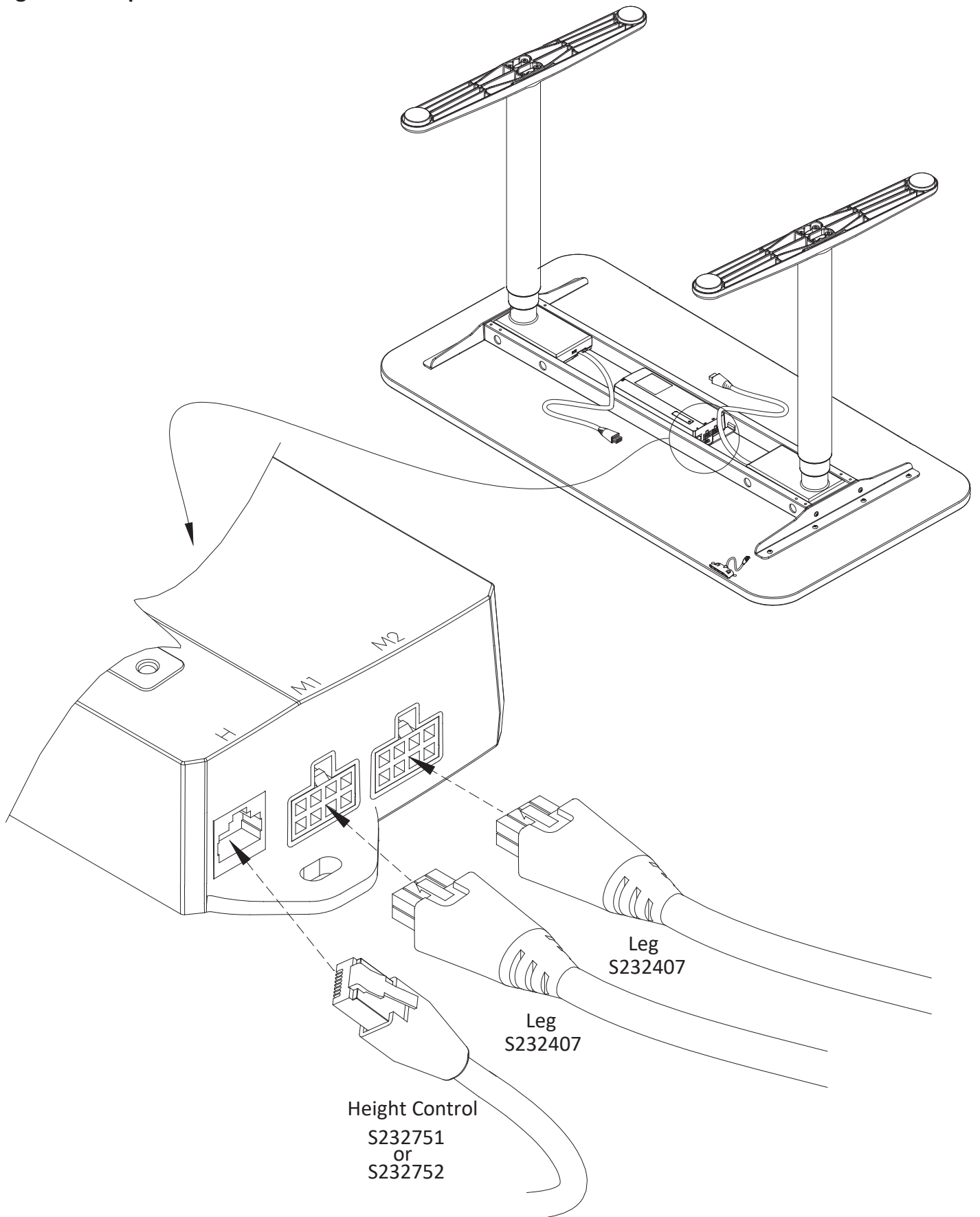
Memory Height Control



 For Operation instructions see pg.15

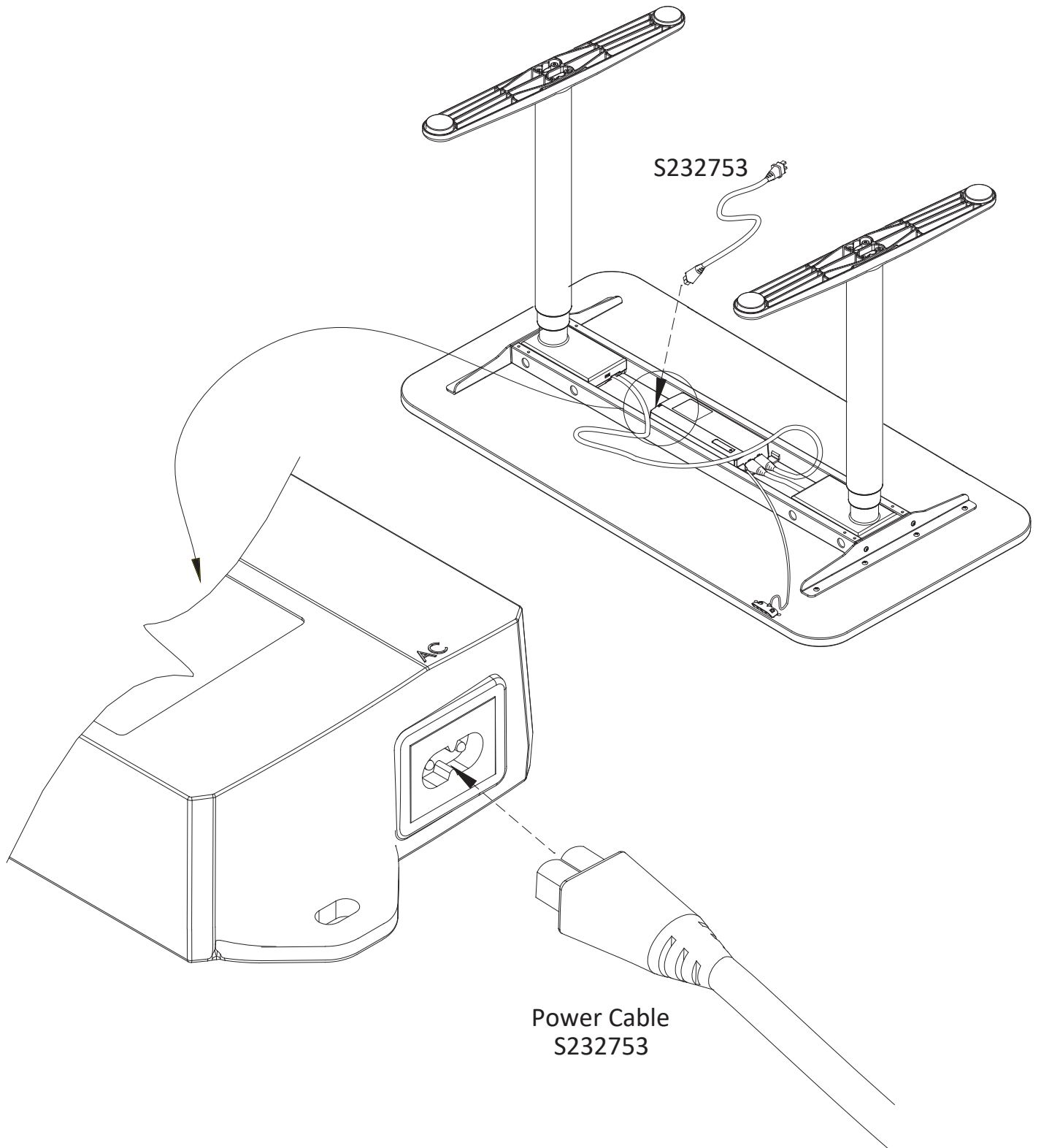
STEP 8.

Plug in all components



STEP 9.

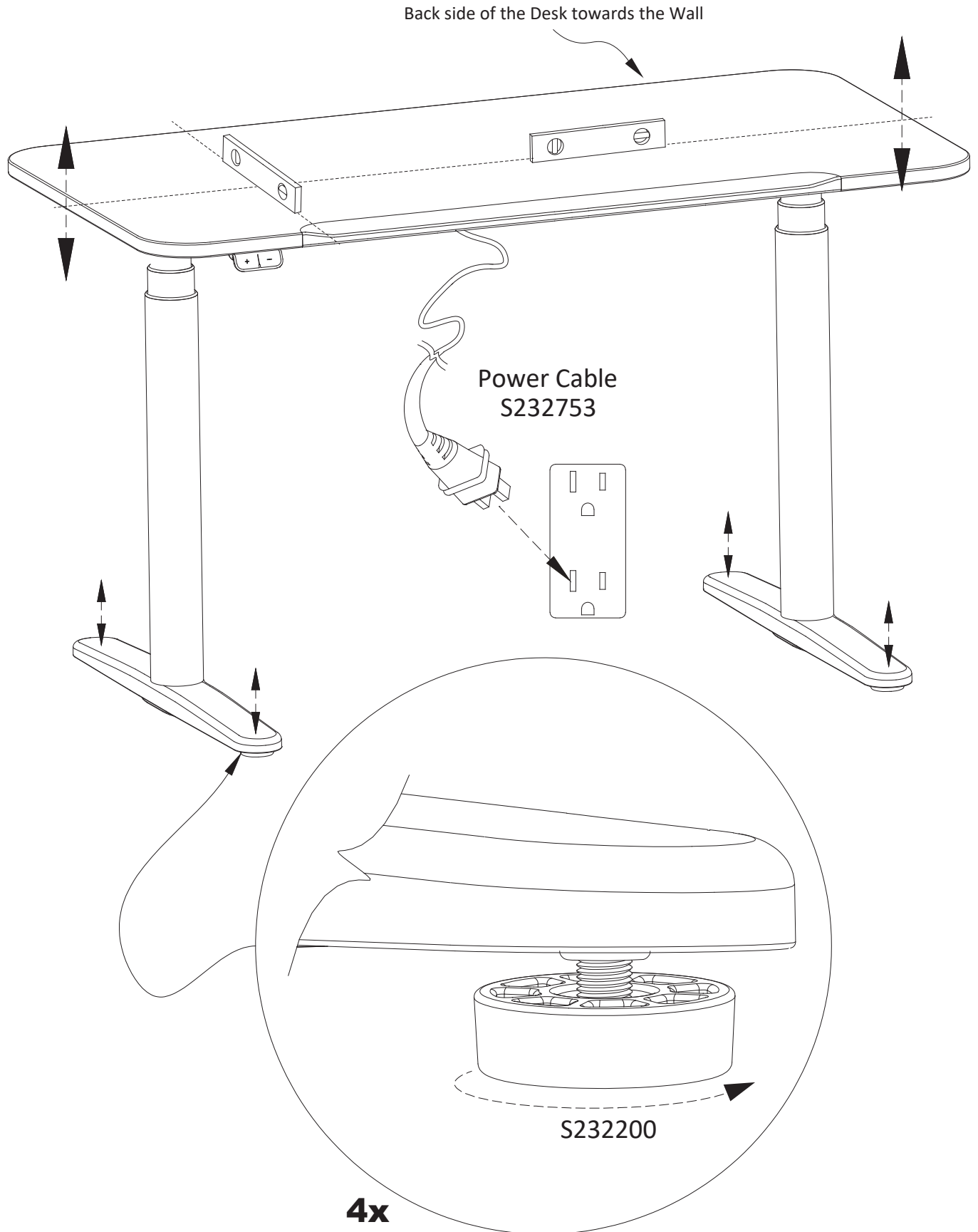
Plug in Power Cable to Control Box



i DO NOT plug the power cable into a wall power outlet until the desk is flipped over and resting on its legs.

STEP 10.

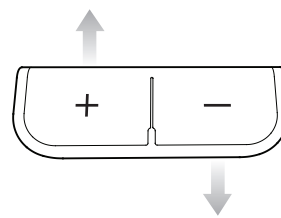
- Flip desk
- Plug in power cable to wall outlet.
- Adjust height using switch (see pg.15 for more details).
- Level using glides.



Standard Height Control

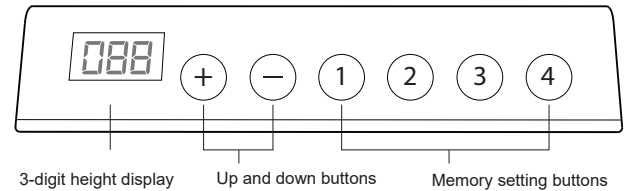
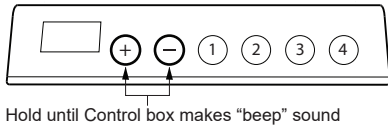
Adjusting the Height

Press + or - button until the desk reaches the preferred height.



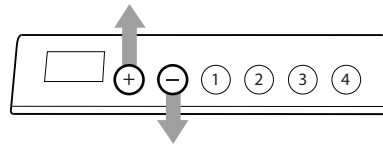
Memory Height Control

1. Reset - Users must conduct a reset when operating the desk for the first time. Simultaneously press + and - for 3 seconds. Continue pressing the buttons until both columns are in the lowest position. When finished with the reset, the control box will make a “beep” sound and the buttons can be released. When finished with the reset, the display will show the starting height.



2. Adjusting the Height

Press + or - button until the desk reaches the preferred height.



3. Presetting the Desk Starting Height

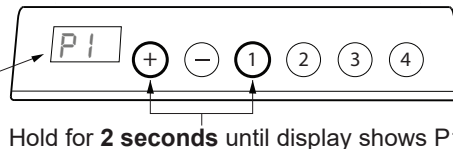
- (1) Press + button until the desk reaches its lowest position and then release - button. Re-press - button
- (2) Adjust the starting height number with the + or - button.
- (3) After 10 seconds, the display will stop flashing and this will confirm that you have successfully set the starting height.

4. Setting the Memorized Position - Unit 01 supports a maximum of 4 memory positions.

To memorize a position adjust the desk to the desired height

Press preferred memory button (1, 2, 3, 4), with either + or - for 2 seconds, once the display shows P1 or P2 or P3 or P4, the position is memorized.

Display shows memorized position



After successful setup press button 1, 2, 3 or 4 to move the desk to the memorized position.

5. Switching Metric and Imperial

- (1) Press memory buttons 1, 2 and 4 for 5 seconds.
- (2) The digital display will show “C-I”. If no further instruction is input within 5 seconds, the system reverts to normal operation

How to choose a metric unit:

Press button 2, the digital display will show “C” to stand for centimeter.

How to choose a imperial unit:

Press button 3, the digital display will show “I” to stand for inch.

6. Feature for special conditions- setting the Upper and Lower Height Limit

Setting the upper height limit:

- (1) Adjust the desk to the preferred upper height limit.
- (2) Press + and - buttons together for less than 3 seconds, holding + and release - button.
Note: Some control boxes may not support setting the upper and lower height limit functionality.
- (3) Re-press - for more than 3 times at a slow pace.
- (4) A beeping sound will notify you that the process has been completed.

Disable the upper height limit:

- (1) Move the desk to the upper height limit being set.
- (2) Repeat instructions #2~4 above to disable the upper limit setting.

Setting the lower height limit:

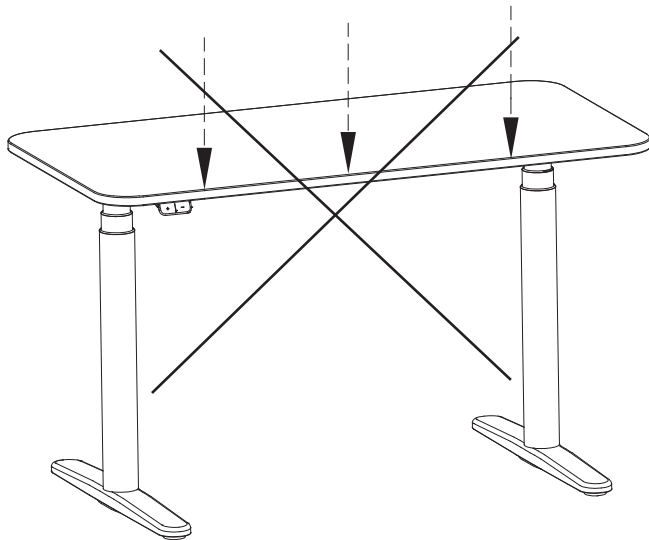
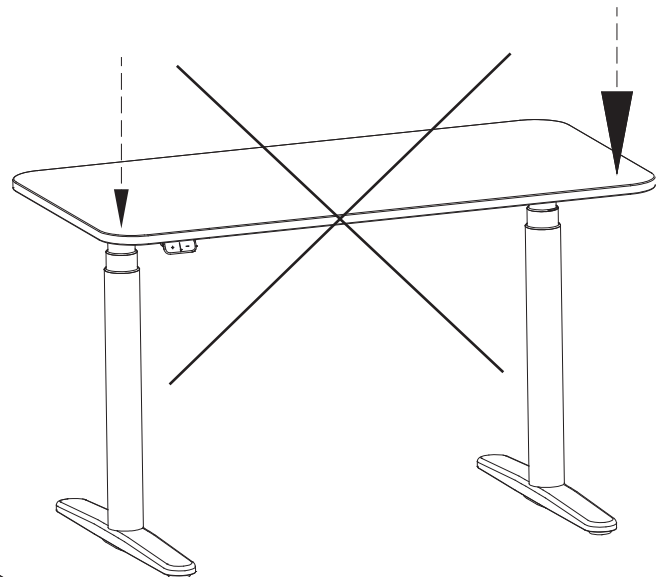
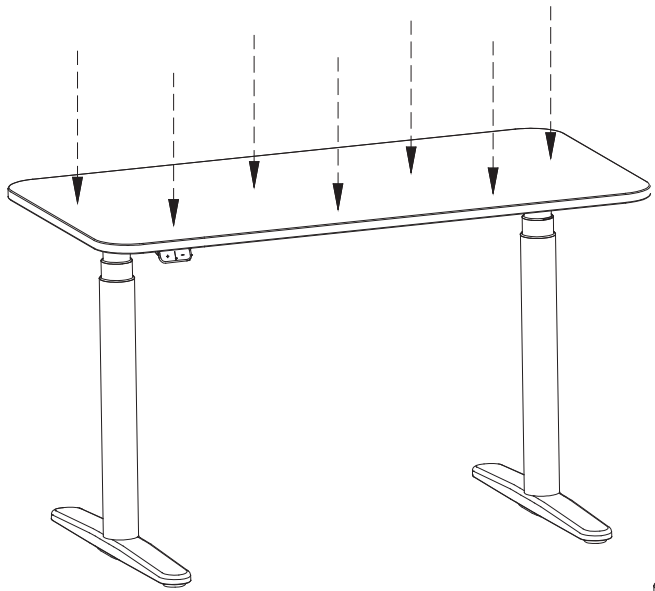
- (1) Adjust the desk to the preferred lower height limit.
- (2) Press + and - buttons together for less than 3 seconds, holding + and release - button.
Note: More than 3 seconds will direct to “Reset” mode.
- (3) Re-press - for more than 3 times at a slow pace.
- (4) A beeping sound will notify you that the process has been completed.

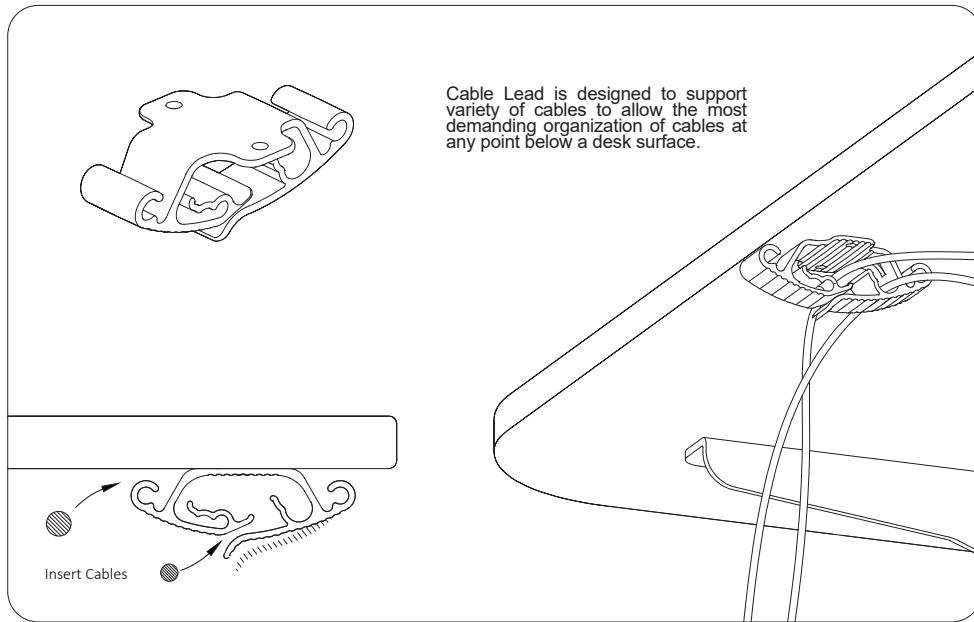
Disable the lower height limit:

- (1) Move the desk to the lower height limit being set.
- (2) Repeat instructions #2~4 above to disable the upper limit setting.

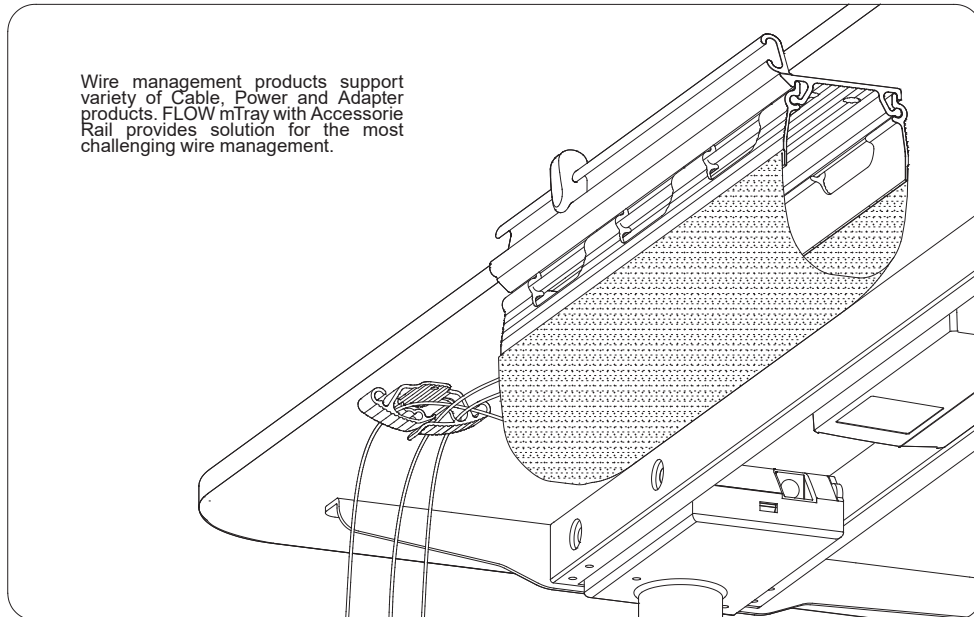
i DO NOT stand on or sit on the top of the desk.

MAX: 250lbs

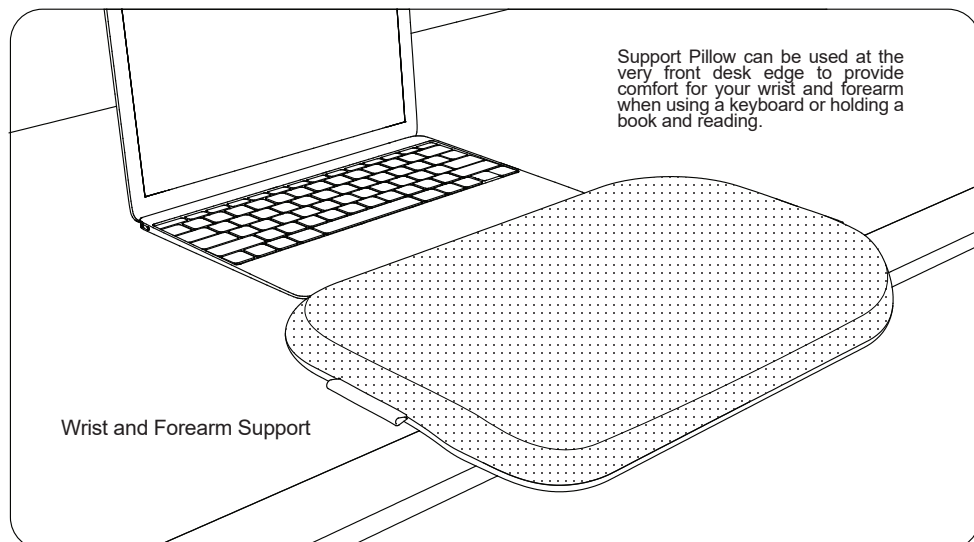




+ For Wire management organization please see our HOMEOffice Wire management products



+ For enhanced comfort while working please see our HOMEOffice Accessories products (Support Pillow)



X



 Health and Wellbeing

Home Office Complete provides you with carefully developed products to allow you to create your own workspace to best support your work. Our products are made through human centric design principles with user health and wellbeing in mind. Here at Home Office Complete we are determined to offer you the best products with the best value. To learn more and see our latest news, make sure to visit our website at homeofficecomplete.com

Lift Plus Sit to Stand Desk

Visit our website for purchasing additional products, maintenance, warranty information, and to find the latest news from HOME Office Complete:

www.homeofficecomplete.com