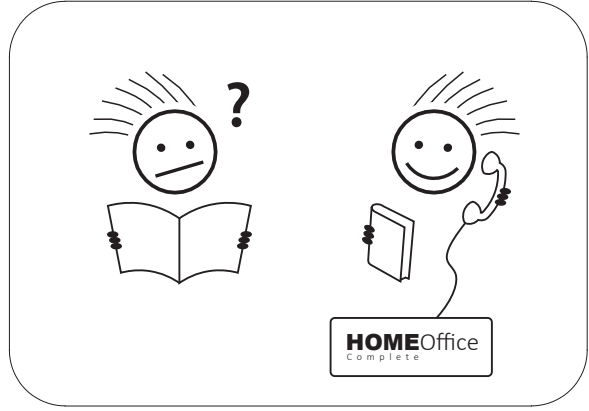
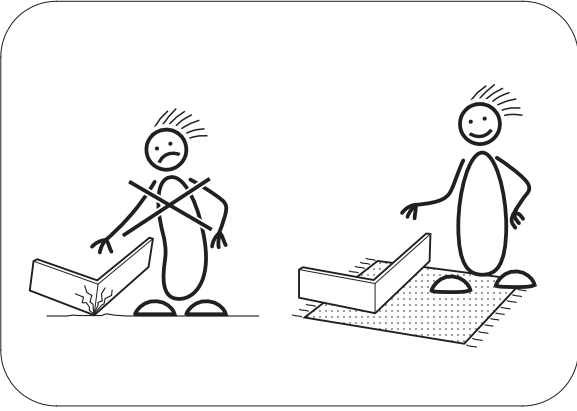
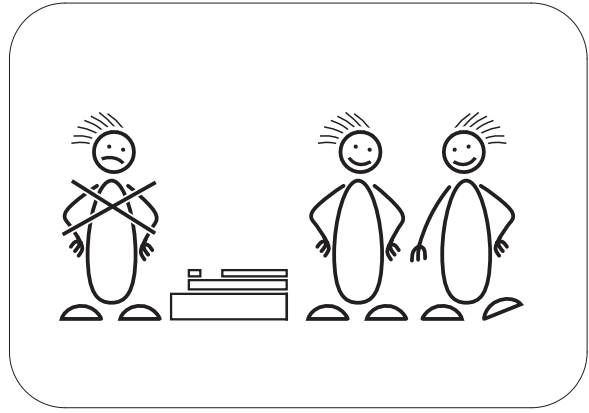
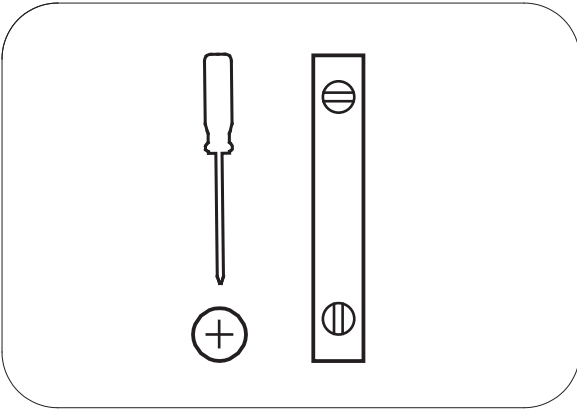
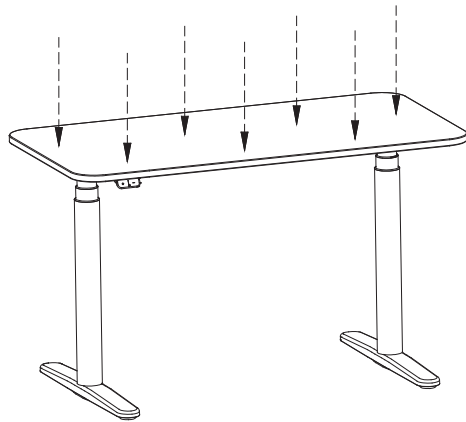


## Lift - Standard Desk

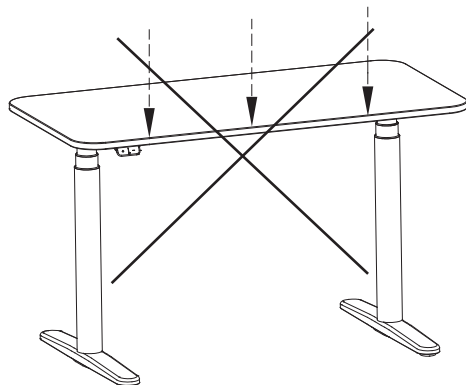
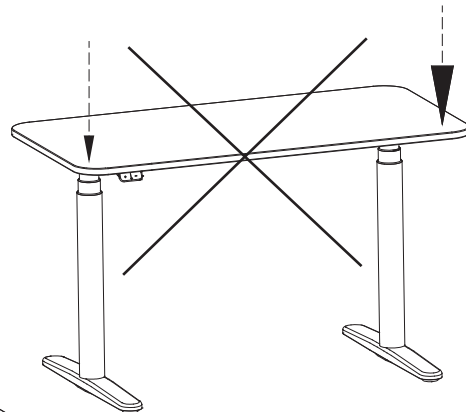
Classic and Ergonomic Top



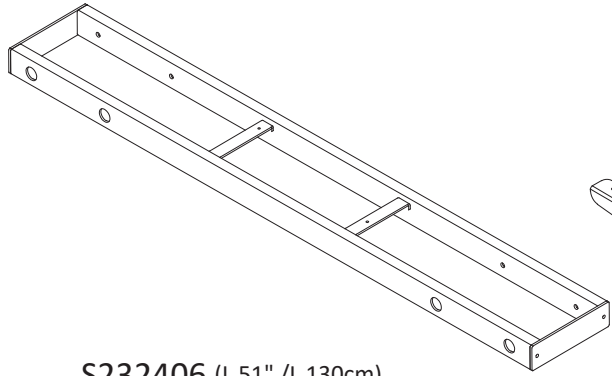
MAX: 250lbs



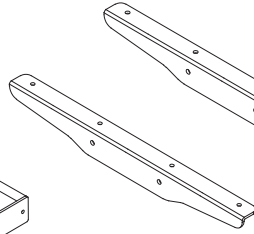
DO NOT stand on or sit on the top of the desk.



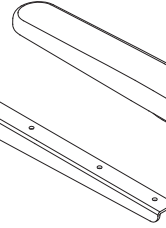
# Ergonomic Top Components



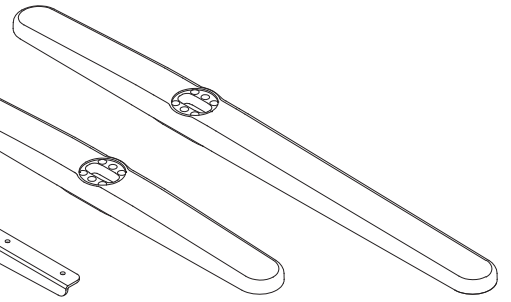
S232406 (L 51" / L 130cm)



S232402

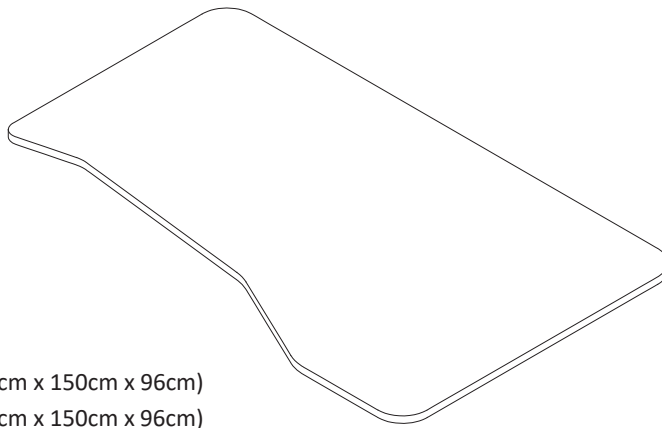


S232403



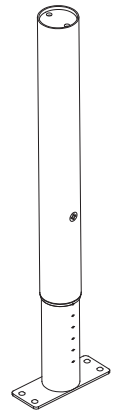
S232100

S232101



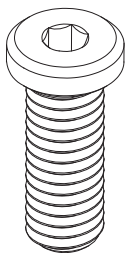
S232341 (26" x 59" x 38" / 66cm x 150cm x 96cm)

S232344 (38" x 59" x 26" / 66cm x 150cm x 96cm)

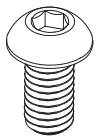


2x  
S232006

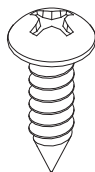
## Hardware



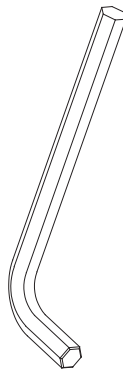
4 C.  
S232701



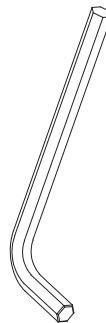
12 E.  
S232703



8 F.  
S232704

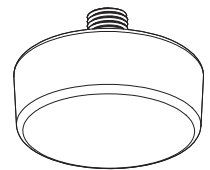


1 J.  
S232709

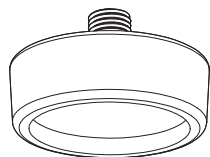


1 K.  
S232712

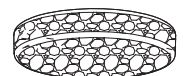
4x  
S232200



4x  
S232201



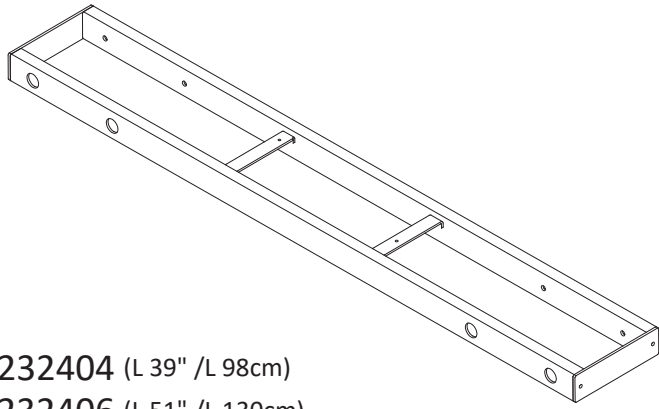
4x  
S240802  
(Felt)



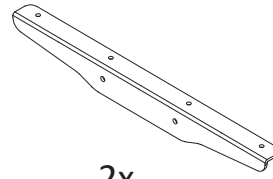
4x  
S240811  
(Rubber)



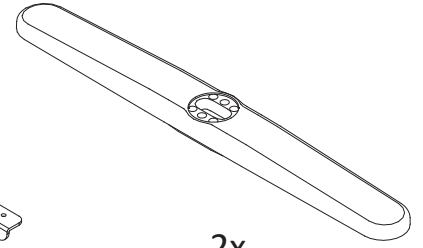
# Classic Top Components



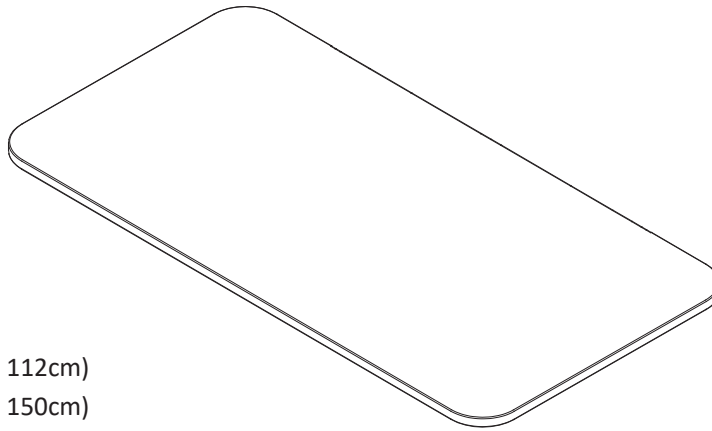
S232404 (L 39" / L 98cm)  
S232406 (L 51" / L 130cm)



2x  
S232402



2x  
S232100

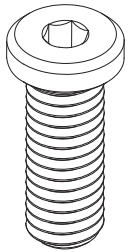


S232306 (23" x 47" / 57cm x 112cm)  
S232308 (26" x 59" / 67cm x 150cm)

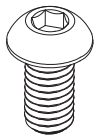


2x  
S232006

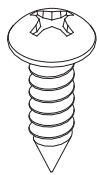
## Hardware



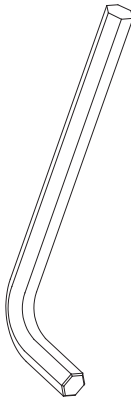
4 C.  
S232701



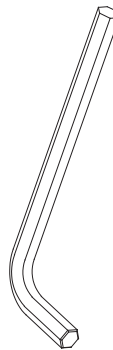
12 E.  
S232703



8 F.  
S232704

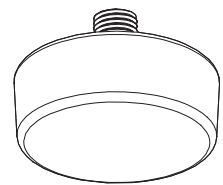


1 J.  
S232709

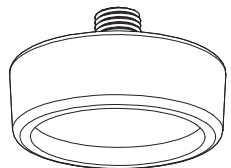


1 K.  
S232712

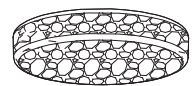
4x  
S232200



4x  
S232201



4x  
S240802



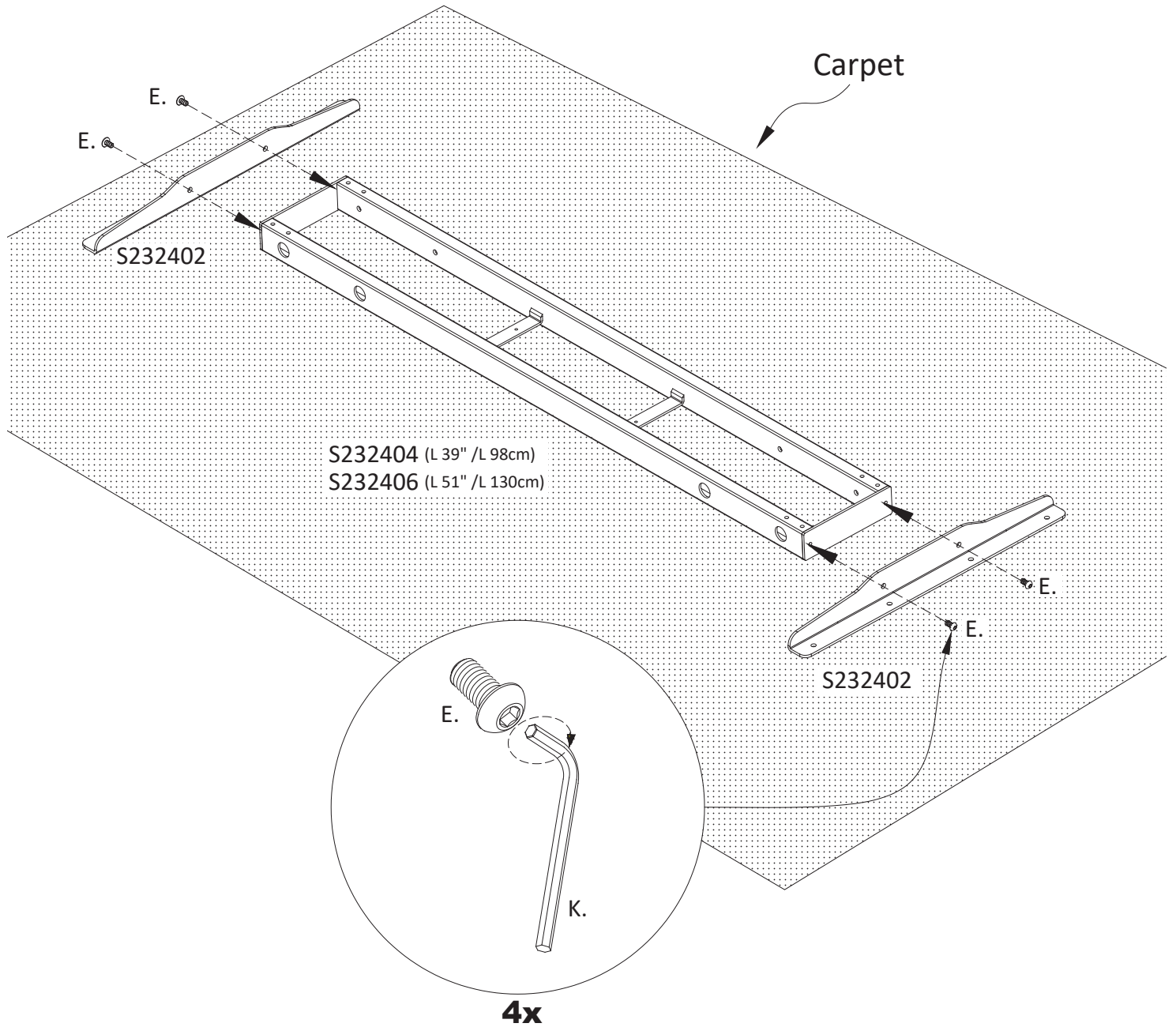
(Felt)  
4x  
S240811



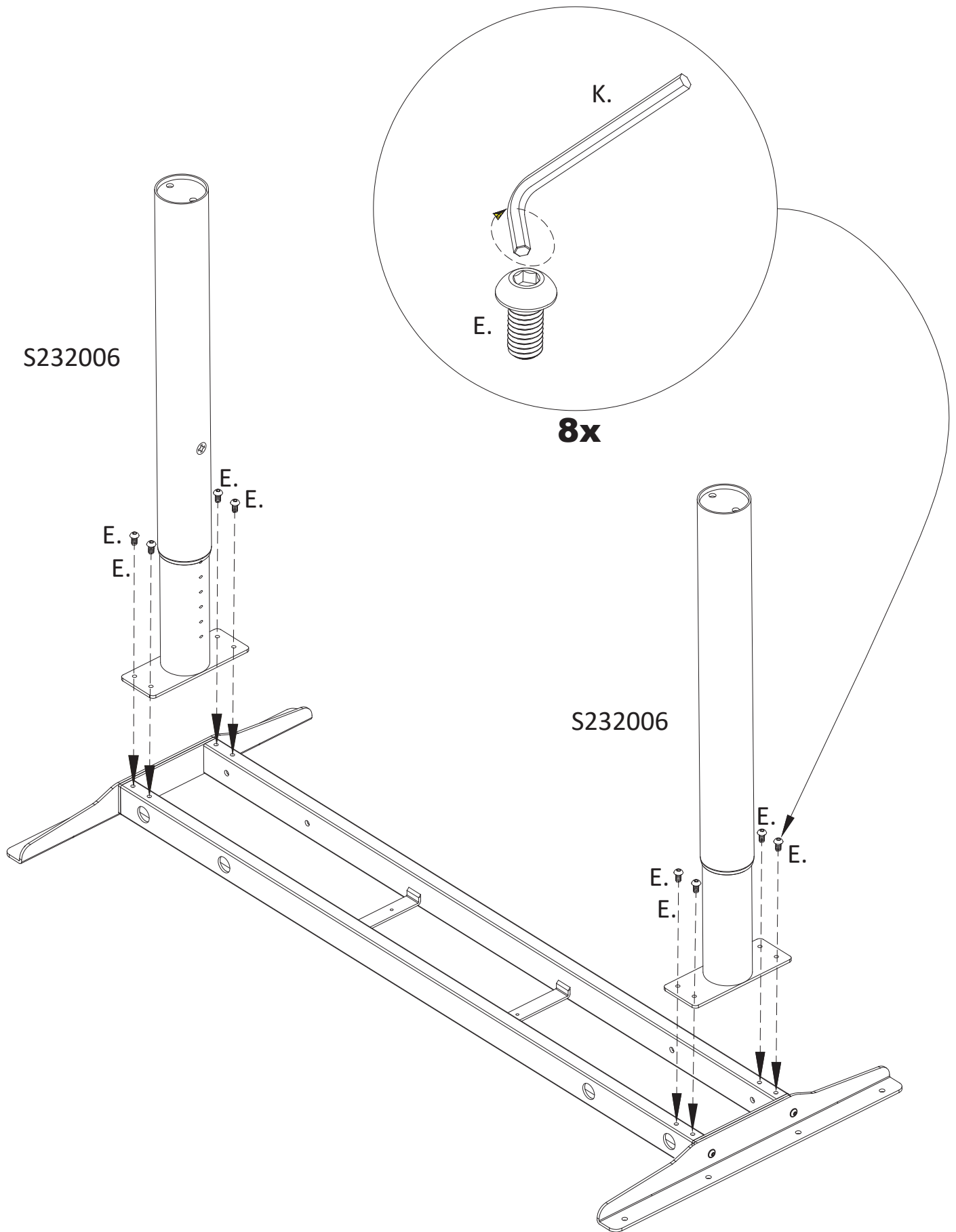
(Rubber)

# STEP 1.

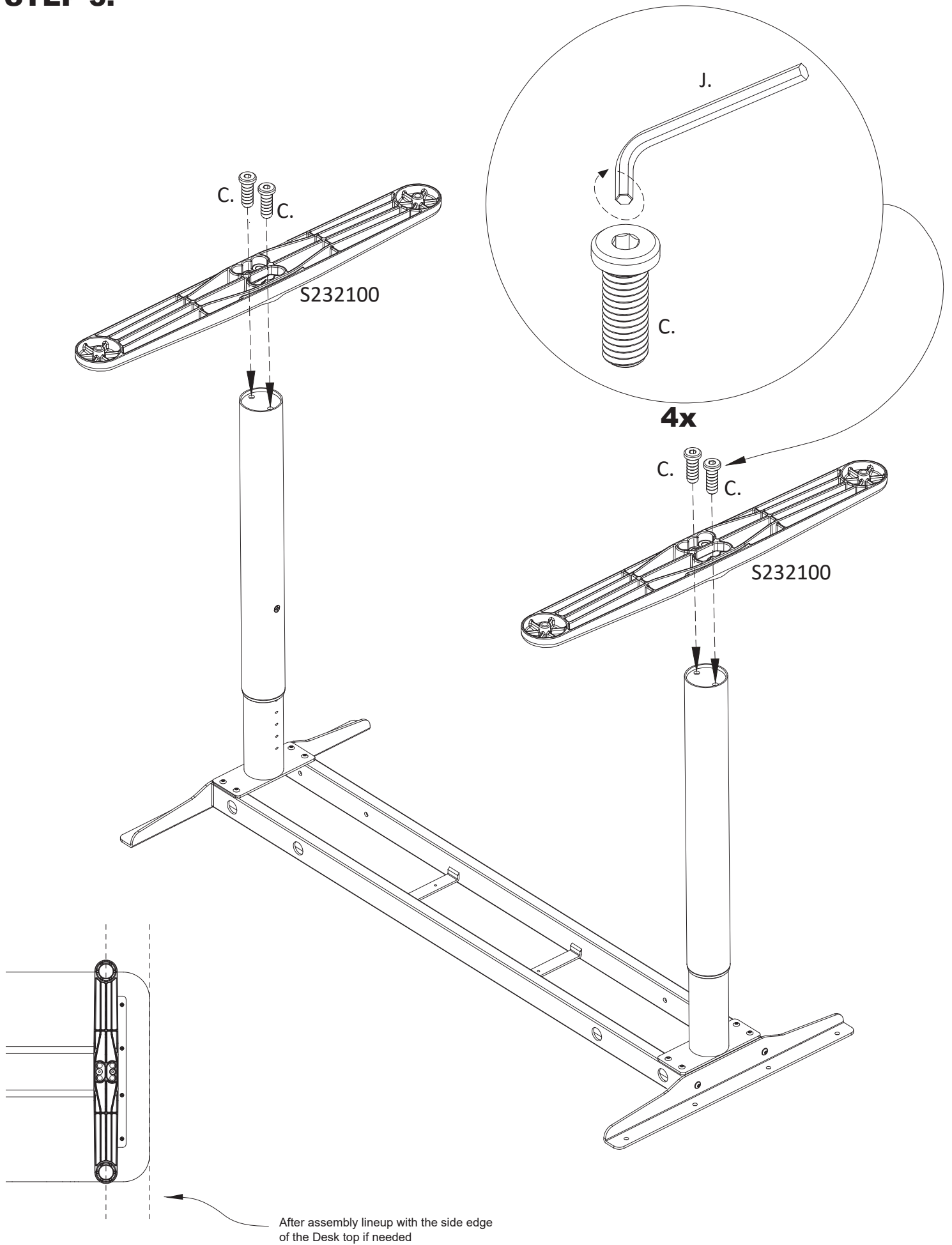
Build desk with top facing down



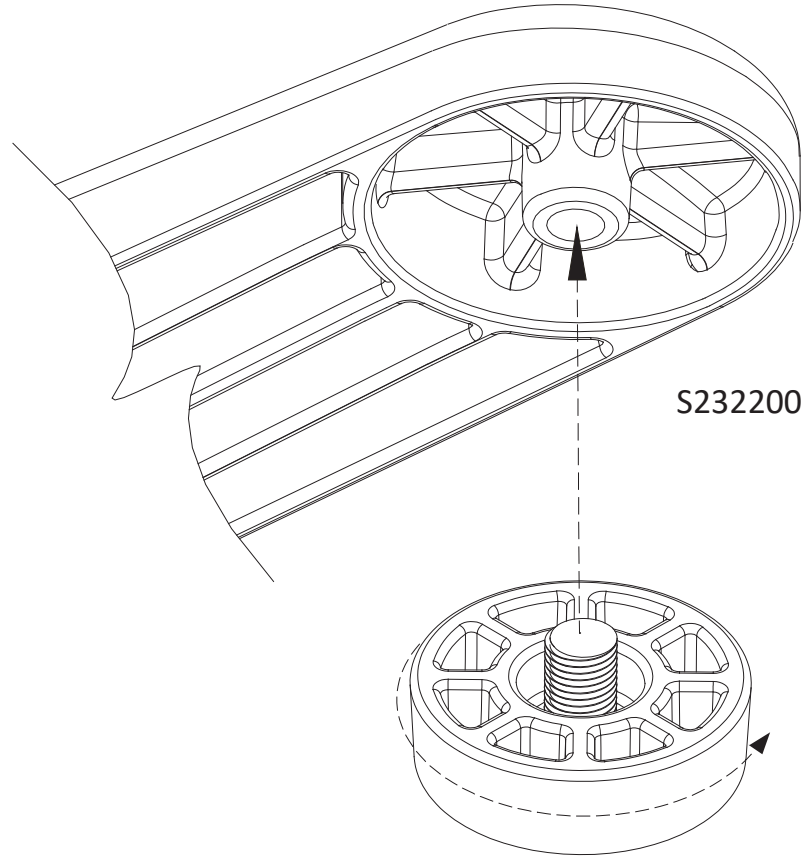
# STEP 2.



# STEP 3.

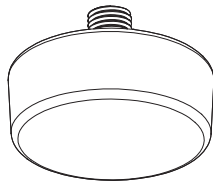
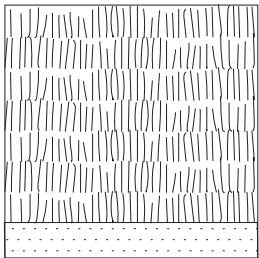


# STEP 4.



S232200

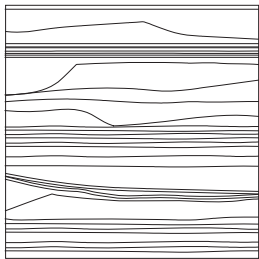
carpet



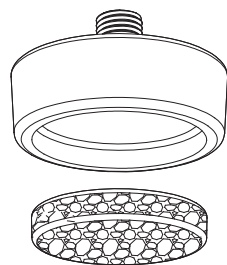
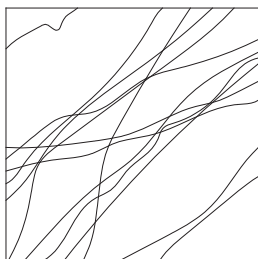
S232200

**4x**

wood



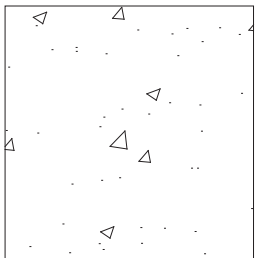
marble



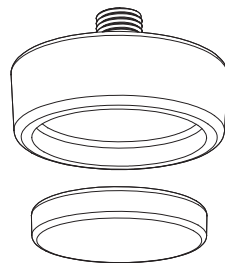
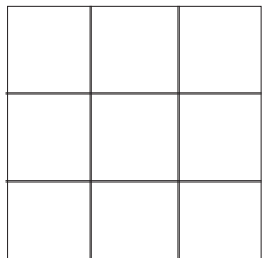
S232201

S240802  
(Felt)

concrete



tile

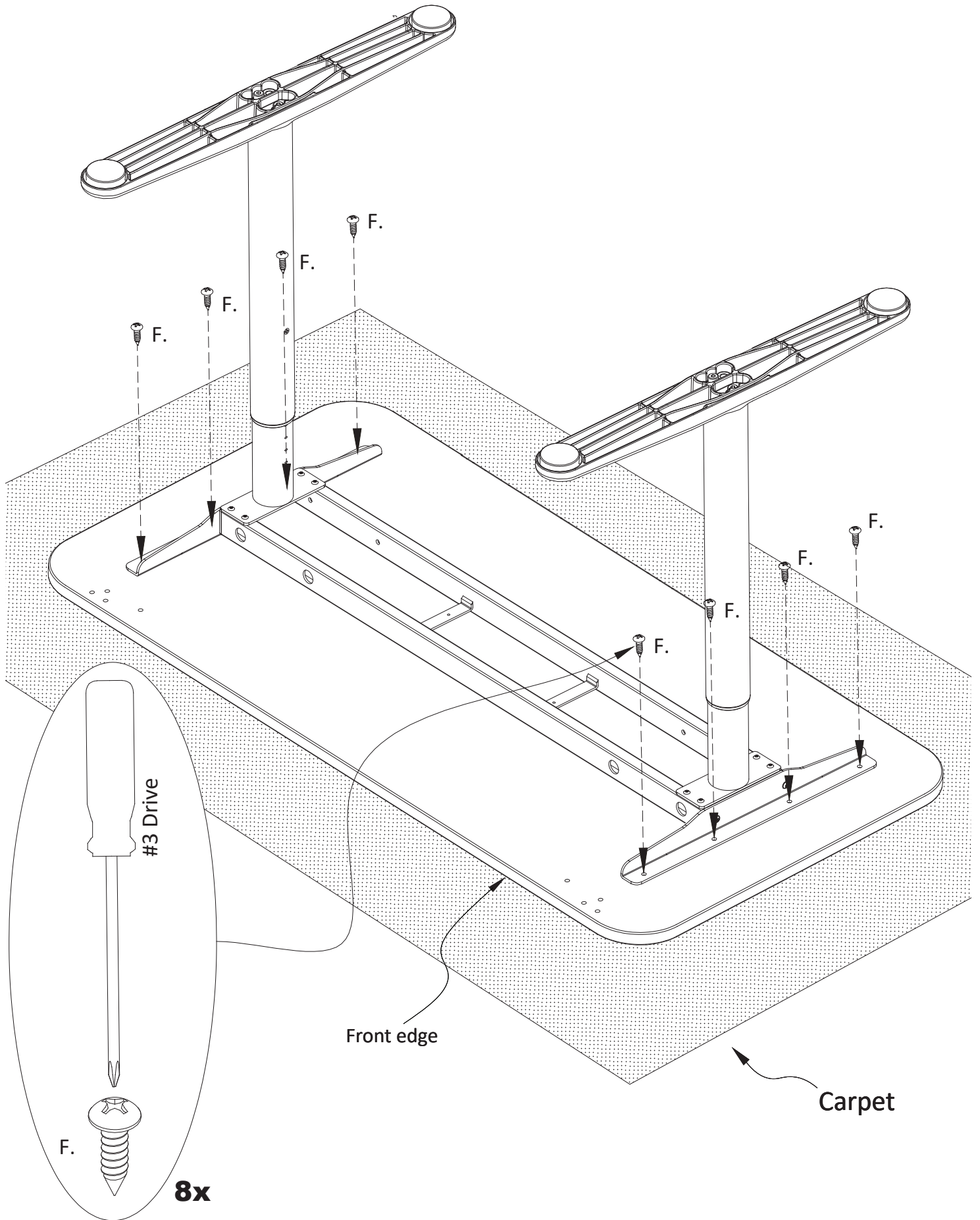


S232201

S240811  
(Rubber)

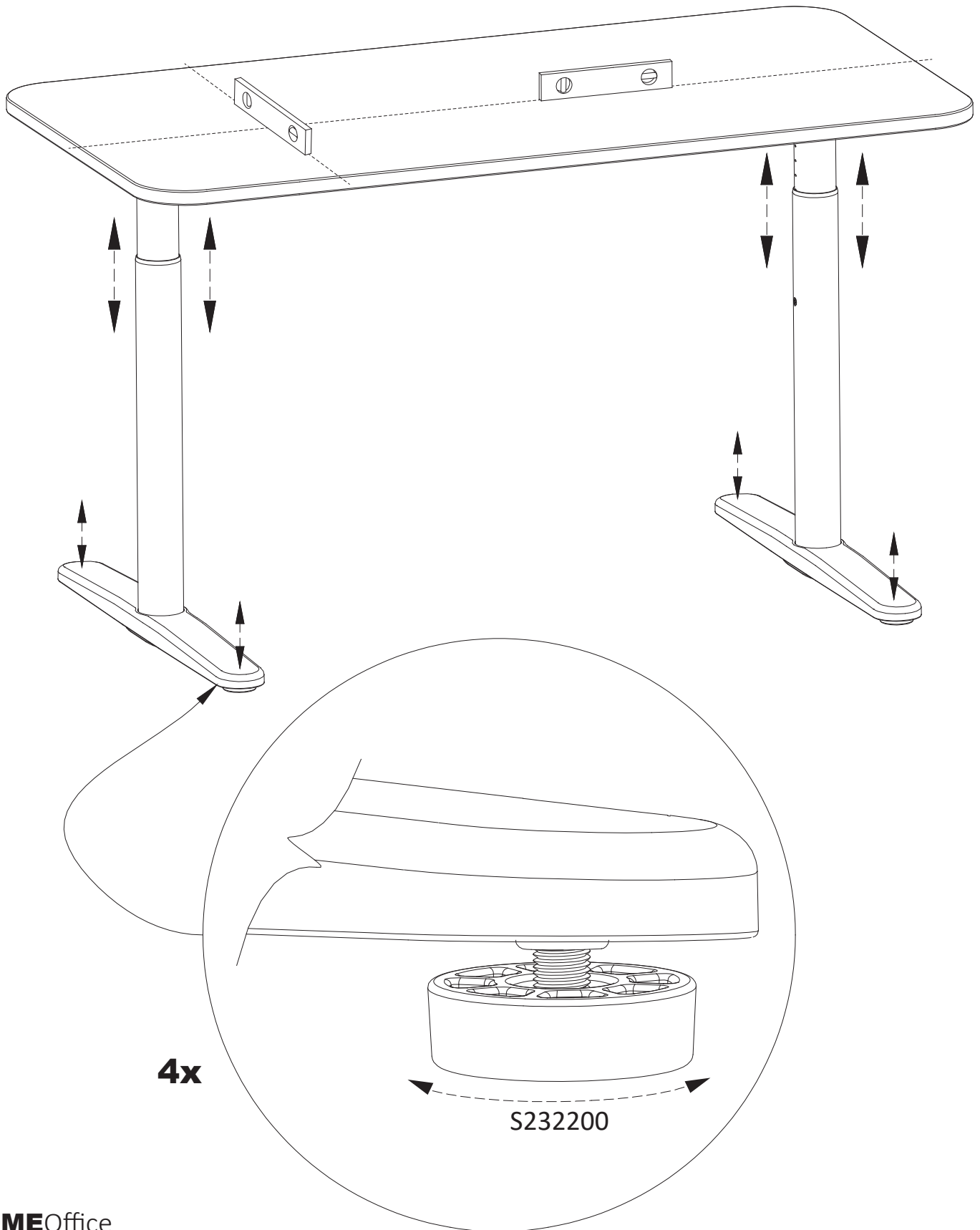


# STEP 5.

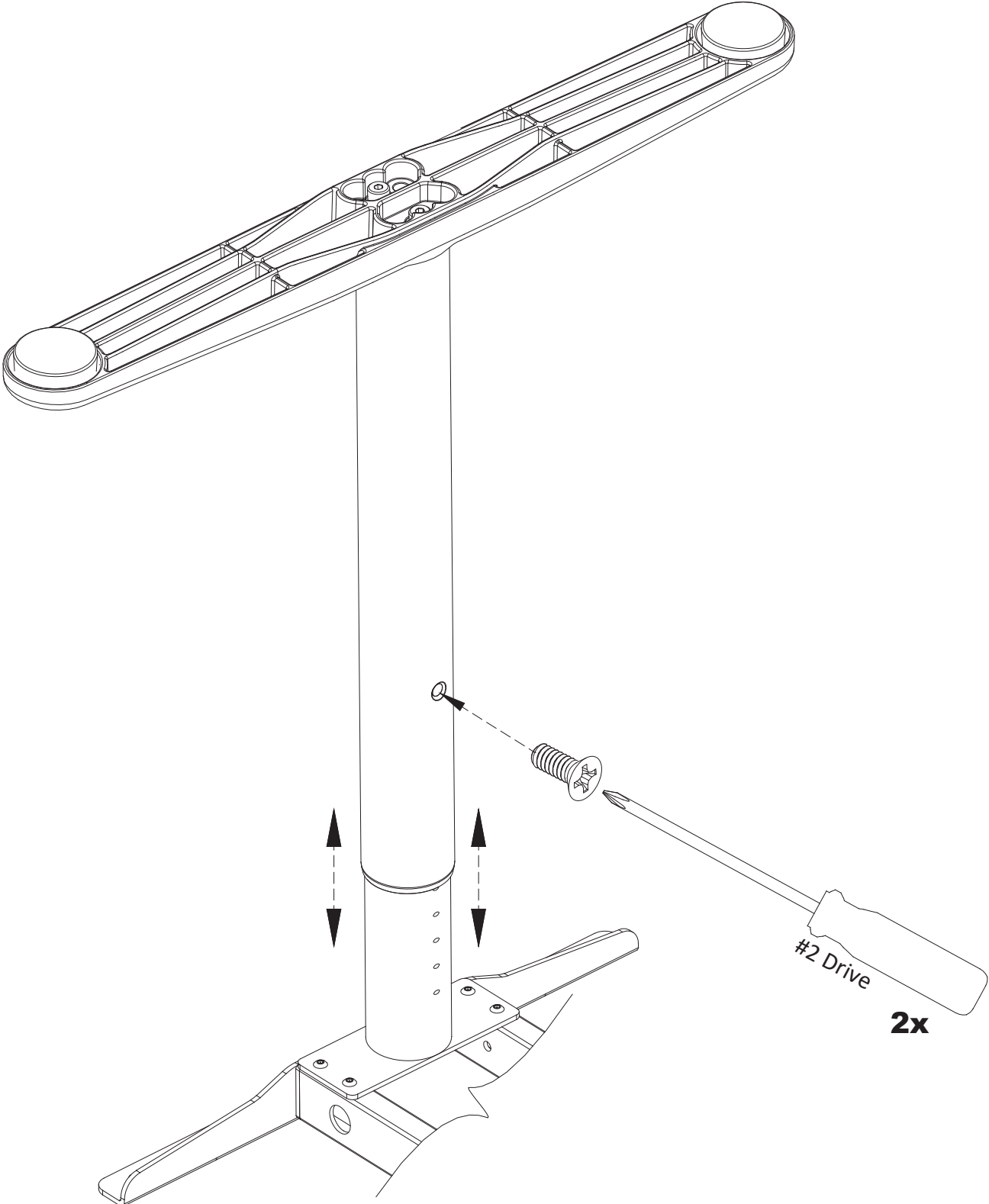


# STEP 6.

- Flip desk
- Adjust height using the screw and notches on each leg.  
(see Step 7 Continued)
- Level using glides.



**STEP 7.** Continued.





 Health and Wellbeing

Home Office Complete provides you with carefully developed products to allow you to create your own workspace to best support your work. Our products are made through human centric design principles with user health and wellbeing in mind. Here at Home Office Complete we are determined to offer you the best products with the best value. To learn more and see our latest news, make sure to visit our website at [homeofficecomplete.com](http://homeofficecomplete.com)

# Lift Standard Desk

Visit our website for purchasing additional products, maintenance, warranty information, and to find the latest news from HOME Office Complete:

**[www.homeofficecomplete.com](http://www.homeofficecomplete.com)**