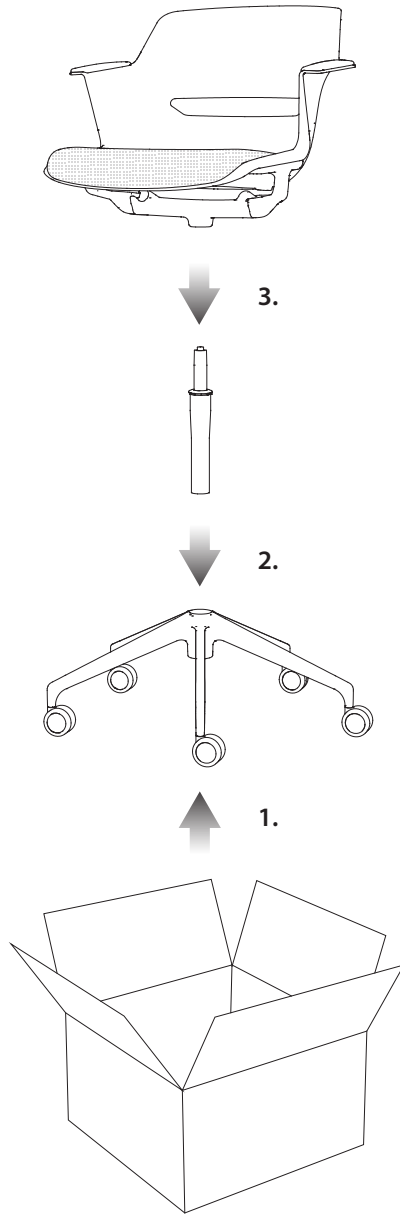


RHEA Setup Instructions

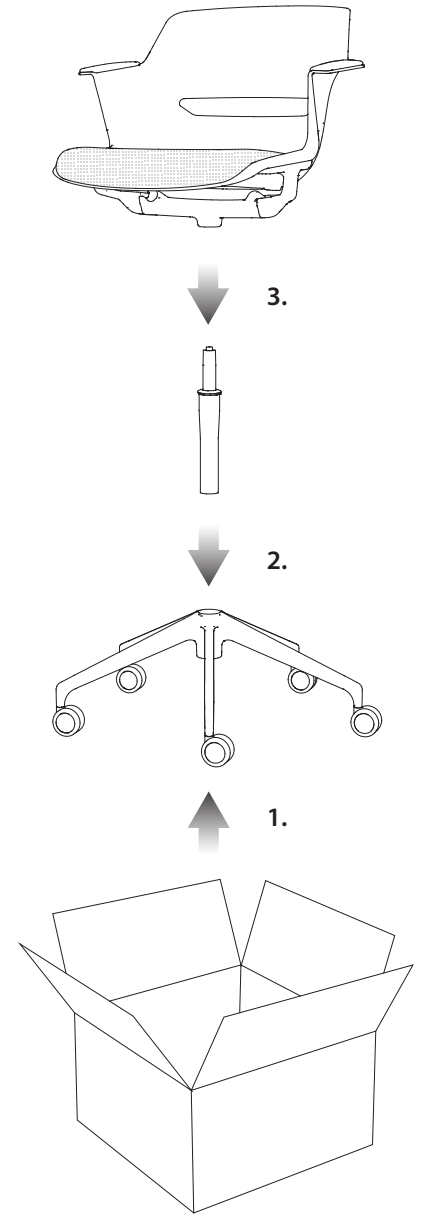
- STEP 1** Take the Star Base out of the box and put it on the floor.
- STEP 2** Put the Gas Cylinder inside the Star Base.
- STEP 3** Put the Chair on top of the Gas Cylinder.



HOMEOffice
Complete

RHEA Setup Instructions

- STEP 1** Take the Star Base out of the box and put it on the floor.
- STEP 2** Put the Gas Cylinder inside the Star Base.
- STEP 3** Put the Chair on top of the Gas Cylinder.



HOMEOffice
Complete