

# HOMEOffice

Complete

Ergonomic Furniture for Home Office



## INTRODUCING RHEA

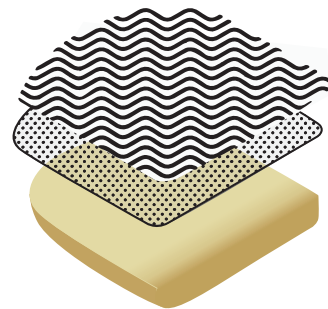
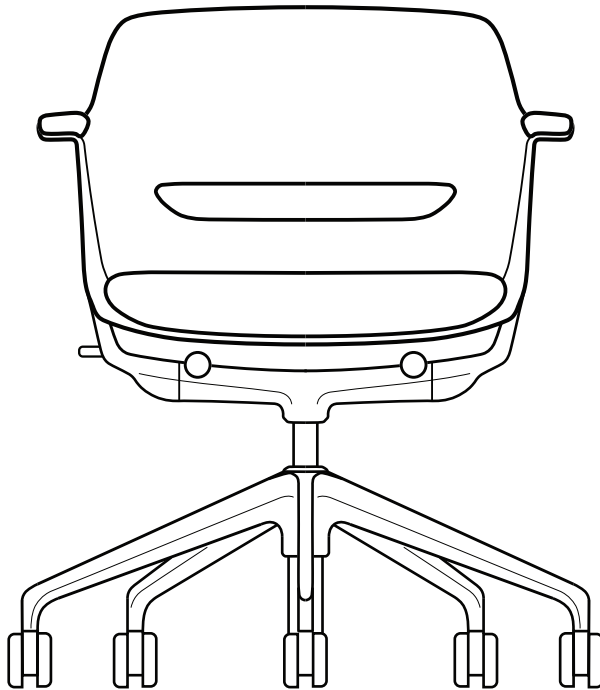
User Manual

# BEAUTIFUL INTEGRATION OF FUNCTION AND STYLE

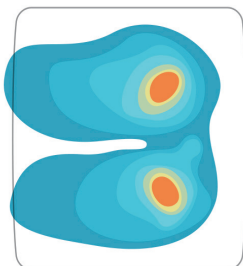
Advanced ergonomics and technology applied to Seat construction for great comfort

RHEA Light Task Chair represents a beautiful integration of function and style for home office work to blend with residential living. RHEA Shell is designed to provide comfort, passive ergonomics and freedom of movement.

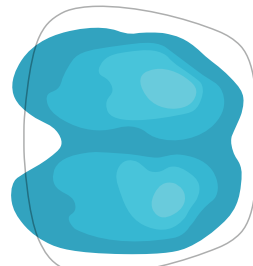
When your pelvis tilts into its optimal position your spinal column will take proper alignment



Specialy shaped seat and foam density is reducing pressure points and distribute weight evenly to provide health blood circulation and maximum oxygenation for better concentration, creativity and productivity



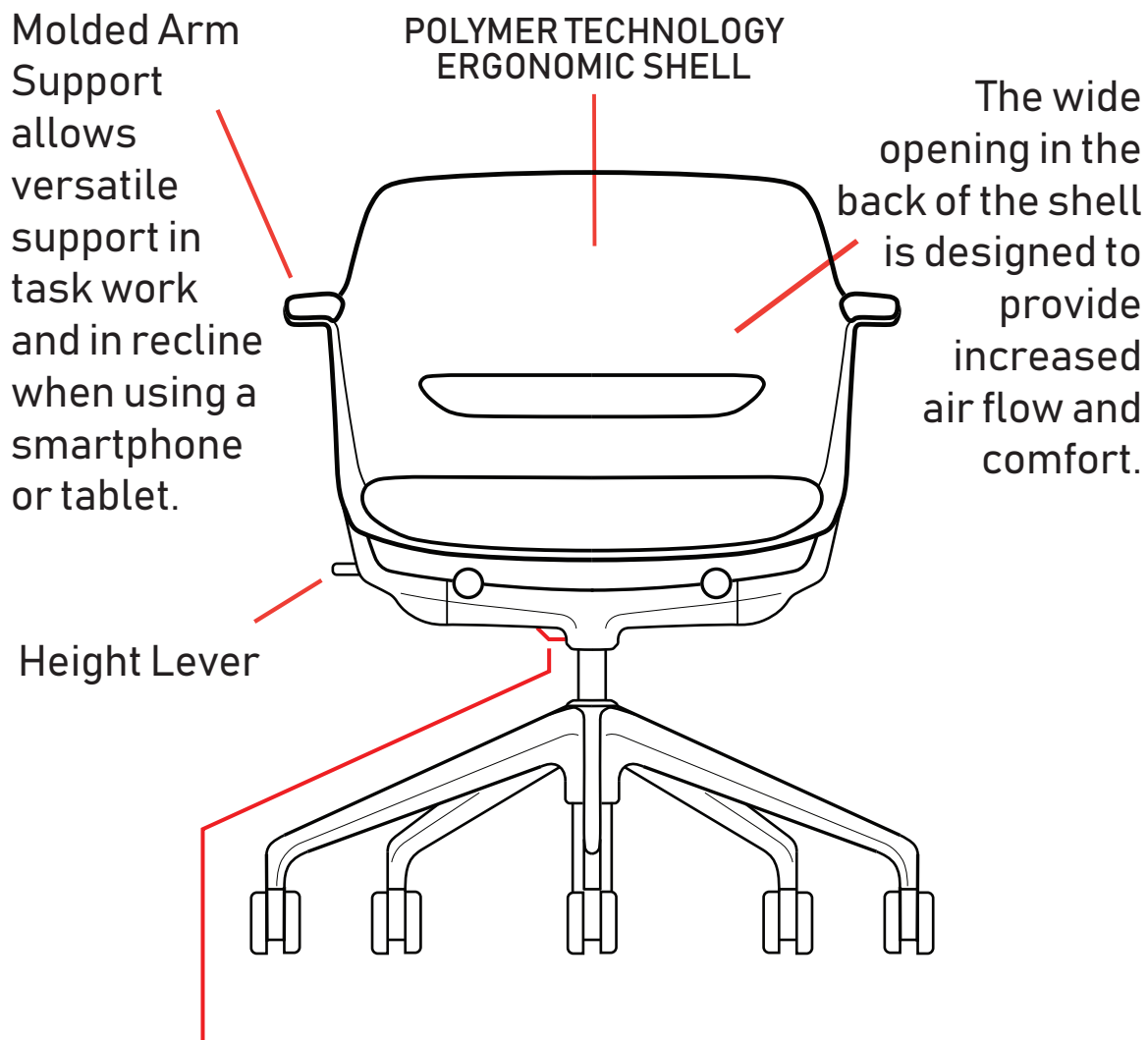
Wrong seat construction



Rhea Seat low pressure points

# BEAUTIFUL INTEGRATION OF FUNCTION AND STYLE

RHEA Light Task Chair represents a beautiful integration of function and style for home office work to blend with residential living. The Shell is molded with a special formulated plastic resin material to allow for flex in certain zones while providing firm support in other zones.



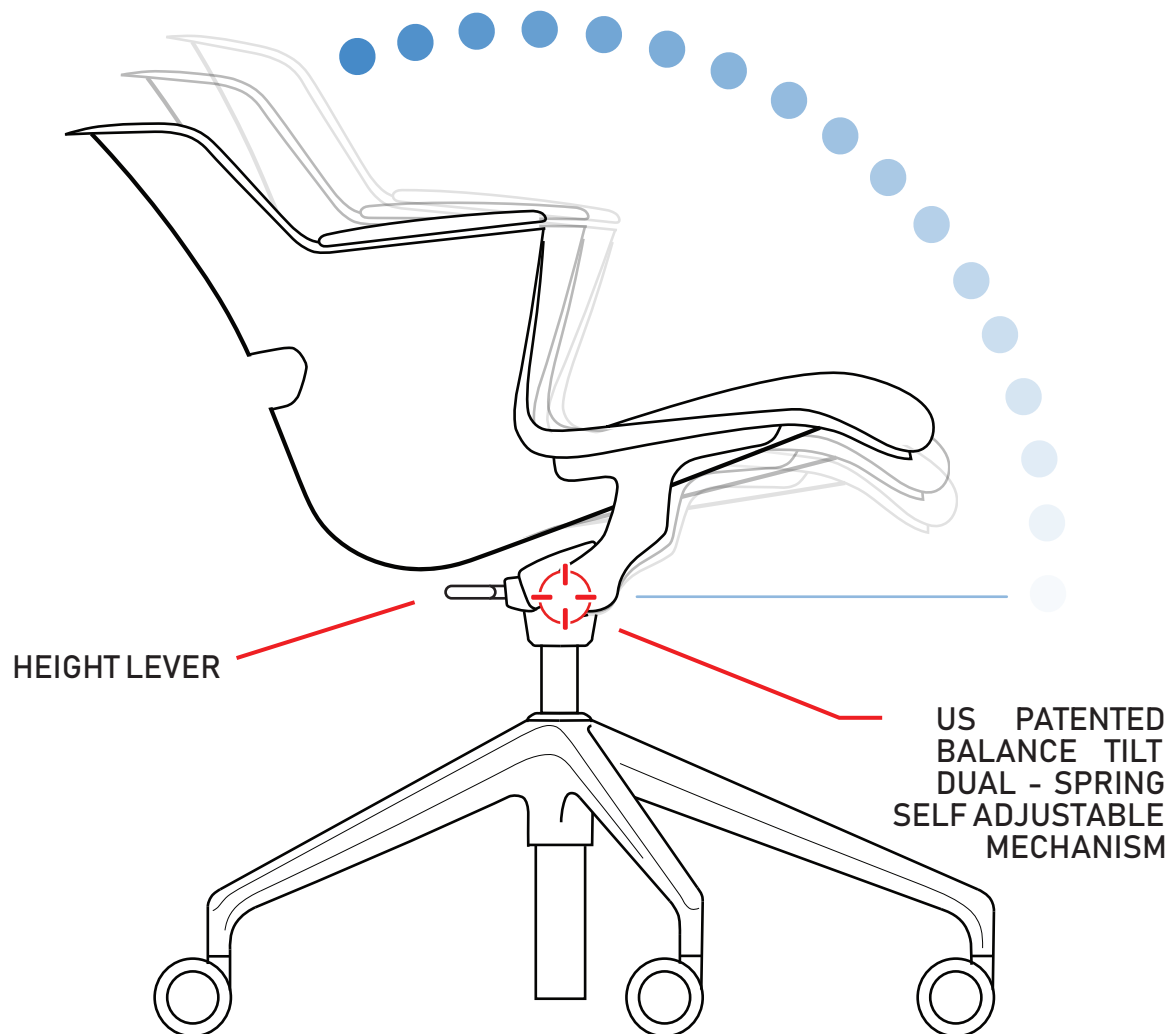
## HEIGHT LEVER LOCK HEX SCREW

By tightening hex screw you will lock height lever "A" from chair height adjustment. To unlock, return the hex screw head in level with screw hole top surface.

# BALANCE DUAL-SPRING SELF ADJUSTABLE RECLINE MECHANISM

From Task work to Zoom Meeting in a flash

Polymer Technology Ergonomic Shell is molded in a special formulated plastic resin material to provide maximum comfort for task work, reading, studying and conference calls.



Balance Dual-Spring Self Adjustable recline mechanism will provide the most comfortable support for a variety of tasks and for long Zoom meetings.