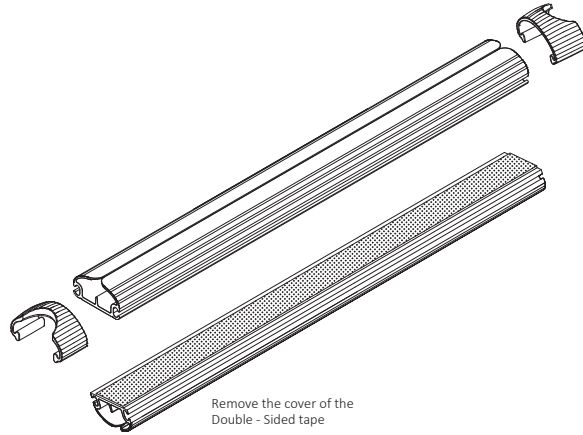
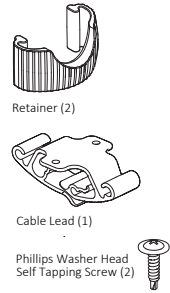


Components

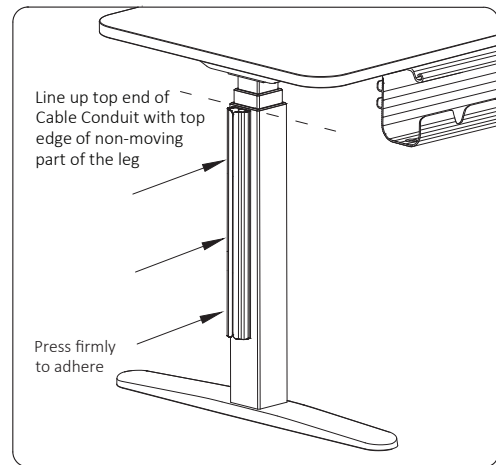
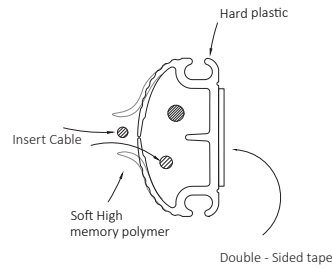


Remove the cover of the Double - Sided tape

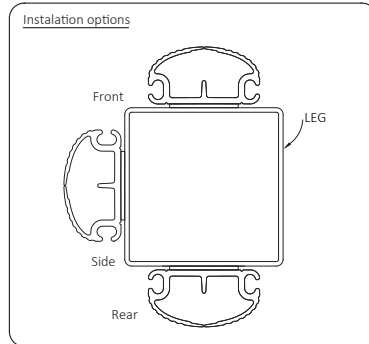
STEP 1.

IMPORTANT NOTE: With a sit-to-stand Desk, attach the Conduit to the non-moving part of the leg.

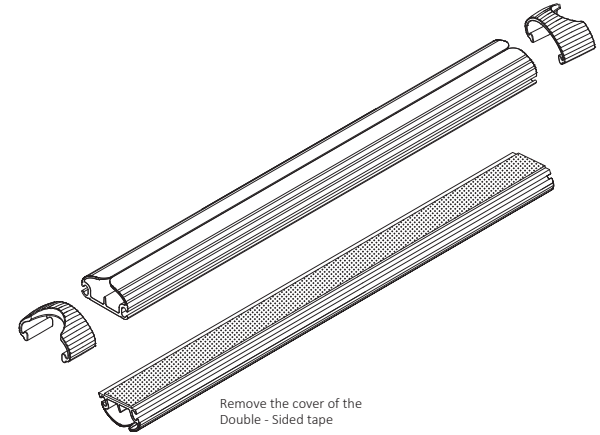
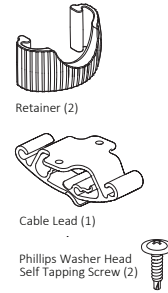
- Choose where to place the Cable Conduit to best organize the cables.
- Peel the backing from the double-sided tape on the Conduit.
- Make sure leg surface is free from dust and grease.
- Line up top end of Cable Conduit with top edge of non-moving part of the leg.
- Press the Conduit firmly against the Desk leg.



WARNING: When installing and using the product, act with care not to over bend to prevent breakage.



Components

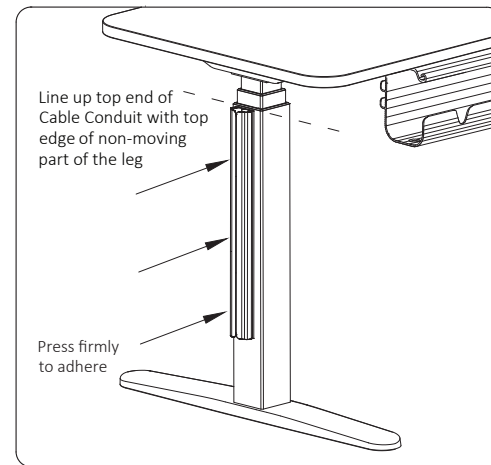
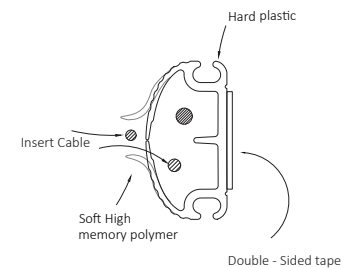


Remove the cover of the Double - Sided tape

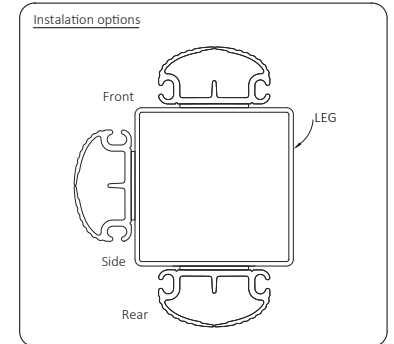
STEP 1.

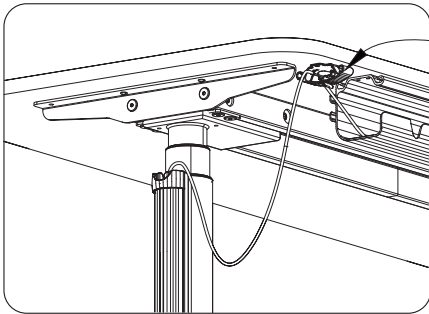
IMPORTANT NOTE: With a sit-to-stand Desk, attach the Conduit to the non-moving part of the leg.

- Choose where to place the Cable Conduit to best organize the cables.
- Peel the backing from the double-sided tape on the Conduit.
- Make sure leg surface is free from dust and grease.
- Line up top end of Cable Conduit with top edge of non-moving part of the leg.
- Press the Conduit firmly against the Desk leg.



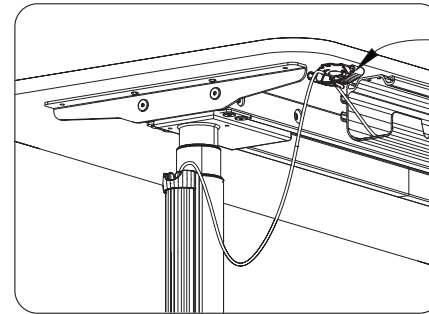
WARNING: When installing and using the product, act with care not to over bend to prevent breakage.





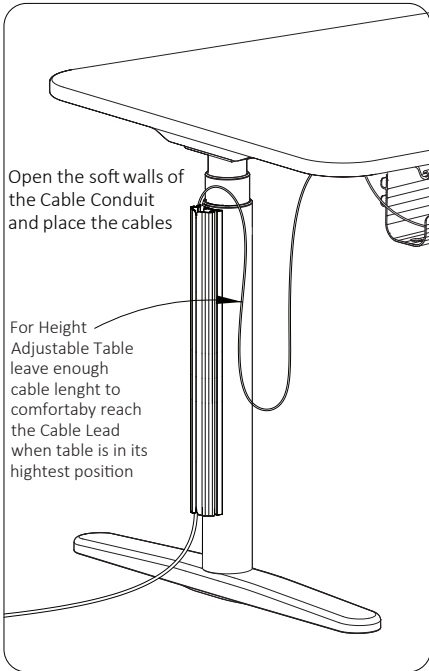
STEP 2.
Place the Cable Lead in the most desirable position to attach cables and guide them to your wire management Tray.

WARNING: To be installed on Desk Tops with a minimum thickness of 3/4"

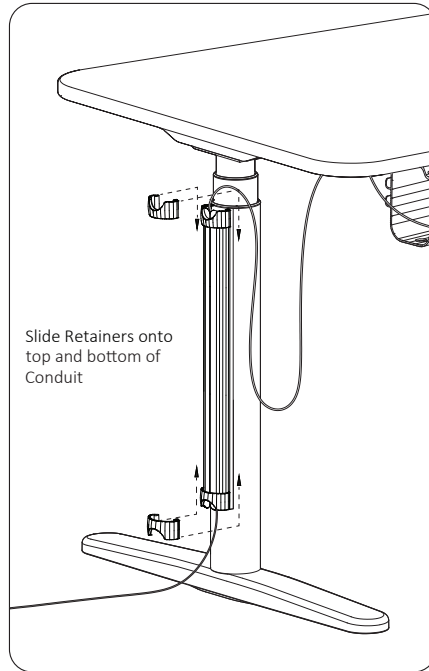


STEP 2.
Place the Cable Lead in the most desirable position to attach cables and guide them to your wire management Tray.

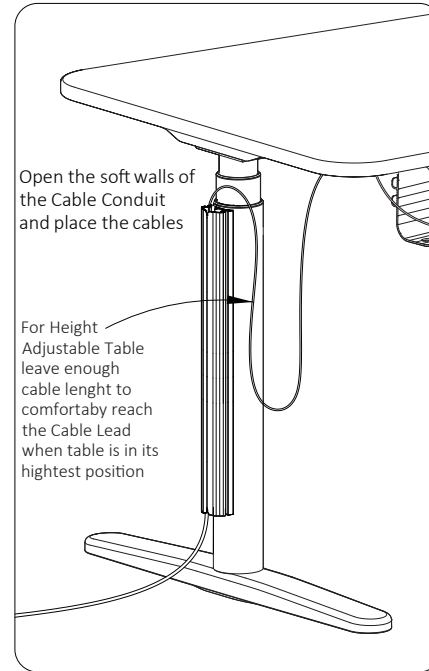
WARNING: To be installed on Desk Tops with a minimum thickness of 3/4"



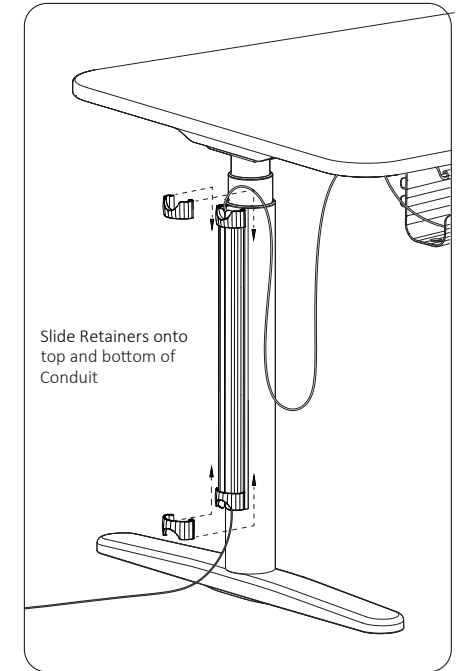
STEP 3.
Place cable into the Conduit by pushing them down through the center of the Conduit.



STEP 4.
-Insert the retainers onto the top and bottom of the Conduit.
-The circular cut-out area on each retainer can face either direction.



STEP 3.
Place cable into the Conduit by pushing them down through the center of the Conduit.



STEP 4.
-Insert the retainers onto the top and bottom of the Conduit.
-The circular cut-out area on each retainer can face either direction.